

**INSTRUCTION MANUAL**  
***TML30U***  
***CARBON MONOXIDE ANALYZER WITH***  
***AUTO-REFERENCE***  
***(ADDENDUM TO TML30 MANUAL PN 042880000)***



**TELEDYNE**  
**MONITOR LABS**

*A Teledyne Technologies Company*

35 INVERNESS DRIVE EAST  
ENGLEWOOD, CO 80112  
USA





TOLL-FREE SUPPORT: 800-846-6062  
FAX: 303-799-4853  
TEL: 303-792-3300  
E-MAIL: [tml\\_support@teledyne.com](mailto:tml_support@teledyne.com)  
WEBSITE: <http://www.teledyne-ml.com>

THIS PAGE IS INTENTIONALLY LEFT BLANK

## Safety Messages

Your safety and the safety of others are very important. We have provided many important safety messages in this manual. Please read these messages carefully.

A safety message alerts you to potential hazards that could hurt you or others. Each safety message is associated with a safety alert symbol. These symbols are found in the manual and inside the instrument. The definition of these symbols is described below:

	<b>GENERAL SAFETY HAZARD: Refer to the instructions for details on the specific hazard.</b>
	<b>CAUTION: Hot Surface Warning</b>
	<b>CAUTION: Electrical Shock Hazard</b>
	<b>TECHNICIAN SYMBOL: All operations marked with this symbol are to be performed by qualified maintenance personnel only.</b>

### CAUTION

The TML30U, CO Analyzer with Auto-Reference should only be used for the purpose and in the manner described in this manual. If you use the TML30U in a manner other than that for which it was intended, unpredictable behavior could ensue with possible hazardous consequences.

### NOTE

Technical Assistance regarding the use and maintenance of the TML30U or any other Teledyne Instruments product can be obtained by:

Contacting Teledyne Instruments' Customer Service Department at 800-846-6062

Or

Via the internet at <http://www.teledyne-ml.com/>

## USER NOTES:

USER NOTES:

# TABLE OF CONTENTS

<b>SAFETY MESSAGES</b> .....	<b>III</b>
<b>TABLE OF CONTENTS</b> .....	<b>V</b>
<b>LIST OF FIGURES</b> .....	<b>VII</b>
<b>LIST OF TABLES</b> .....	<b>VII</b>
<b>LIST OF APPENDICES</b> .....	<b>VII</b>
<b>1. INTRODUCTION</b> .....	<b>1</b>
1.1 Reference Numbering Convention .....	1
1.2 TML30U Overview .....	1
<b>2. SPECIFICATIONS, APPROVALS AND WARRANTY</b> .....	<b>3</b>
2.1 Specifications .....	3
2.2 EPA Equivalency Designation .....	4
2.3 CE Mark Compliance.....	4
2.4 Warranty.....	4
<b>3. GETTING STARTED</b> .....	<b>5</b>
3.1 Unpacking the TML30U.....	5
3.2 TML30U analyzer Layout.....	5
3.3 Electrical Connections .....	6
3.3.1 Power Connection .....	6
3.3.2 Analog Output Connections.....	6
3.3.3 Connecting the Status Outputs.....	8
3.4 Initial Operation of the TML30U.....	8
3.4.1 Startup and Warm up of the TML30U.....	9
3.4.2 Warning Messages.....	9
3.4.3 Functional Check.....	10
3.5 Initial Calibration .....	10
3.5.1 Pre-Calibration Stabilization .....	10
3.5.2 Basic CO Calibration Setup.....	10
3.5.2.1 Calibration Gases .....	11
3.5.3 Basic CO Calibration Procedure.....	11
<b>4. FREQUENTLY ASKED QUESTIONS &amp; GLOSSARY</b> .....	<b>13</b>
<b>5. OPTIONAL HARDWARE AND SOFTWARE</b> .....	<b>15</b>
5.1 Calibration Valve Options for the TML30U .....	16
5.1.1 Zero Span Valves (OPT 50A).....	16
5.1.2 Zero Span Valves with IZS (OPT 51B).....	17
5.1.3 Zero Span Valves with IZS and Shutoff Valve (OPT 51B).....	18
<b>6. TML30U OPERATING INSTRUCTIONS</b> .....	<b>19</b>
6.1 Summary of Differences Between Operating the TML30U and the TML30/M Analyzers .....	19
6.2 Operating Modes .....	20
6.2.1 Auto-Reference Mode (AREF) .....	21
6.2.2 Test Functions.....	22
6.3 SETUP → RNGE: Analog Output Reporting Range Configuration.....	23
6.3.1 Physical Range versus Analog Output Reporting Ranges .....	23
6.3.2 Analog Output Ranges for CO Concentration .....	23
6.3.3 RNGE → MODE → SNGL: Configuring the TML30U Analyzer for Single Range Mode .....	25
6.3.4 RNGE → MODE → DUAL: Configuring the TML30U Analyzer for Dual Range Mode .....	26
6.3.5 RNGE → MODE → AUTO: Configuring the TML30U Analyzer for Auto Range Mode.....	27
6.3.6 SETUP → RNGE → UNIT: Setting the Reporting Range Unit Type .....	28
6.4 SETUP → MORE → AREF: Configuring and Performing Auto-Reference Measurements .....	29
6.4.1 Adjusting the A-REF Mode Cycle Time .....	29
6.4.2 Forcing an Auto-Reference Measurement.....	29
6.5 SETUP → MORE → VARS: Internal Variables (VARs) .....	31
6.6 SETUP → MORE → DIAG: Using the Diagnostics Functions .....	32
6.7 Analog Output Configuration .....	33
6.7.1 Analog I/O Configuration .....	33
6.7.2 Calibration of the Analog Outputs.....	36
6.7.3 Selecting a Test Channel Function for Output A4 .....	37
6.7.4 Hessen Protocol .....	38
<b>7. CALIBRATION PROCEDURES</b> .....	<b>41</b>
<b>8. EPA PROTOCOL CALIBRATION</b> .....	<b>43</b>
<b>9. INSTRUMENT MAINTENANCE</b> .....	<b>45</b>
9.1 Performing an Auto-Reference Measurement After Maintenance .....	45
<b>10. THEORY OF OPERATION</b> .....	<b>49</b>

10.1 Measurement Method .....	49
10.1.1 Auto-Reference Ratio .....	49
10.2 Pneumatic Operation .....	50
10.2.1 The A-REF Carbon Monoxide Scrubber .....	50
10.2.2 The A-REF Valve Assembly .....	51
10.3 Electronic Operation .....	52
10.3.1 Overview .....	52
10.3.2 The Relay PCA .....	53
10.3.2.1 Temperature Control of the Convection Oven .....	53
10.3.2.2 Oven Heaters AC Power Configuration .....	54
10.3.2.3 Status LED's .....	55
10.3.3 Motherboard .....	55
10.3.3.1 A to D Conversion .....	55
10.3.3.2 Sensor Inputs .....	55
10.3.4 Power Distribution .....	55
<b>11. TROUBLESHOOTING &amp; REPAIR .....</b>	<b>57</b>
11.1 General Notes .....	57
11.2 Fault Diagnosis with Warning Messages .....	58
11.2.1 Fault Diagnosis with Test Functions .....	60
11.2.2 Relay Board Status LED's .....	62
11.3 Gas Flow Problems .....	63
11.4 Other Performance Problems .....	63
11.4.1 Unexplained drift .....	63
11.5 Subsystem Checkout .....	64
11.5.1 Relay Board .....	64
11.5.2 Motherboard .....	64
11.5.2.1 A/D Functions .....	64
11.6 Technical Assistance .....	65

## LIST OF FIGURES

Figure 3-1: TML30U Internal Layout .....	5
Figure 3-2: TML30U Internal Gas Flow .....	6
Figure 3-3: TML30U Analog Output Connector .....	7
Figure 5-1: TML30U Internal Pneumatic Flow– Zero/Span Valves (OPT 50A) .....	16
Figure 5-2: TML30U Internal Pneumatic Flow– Zero/Span Valves with IZS (OPT 51B) .....	17
Figure 5-3: TML30U Internal Pneumatic Flow– Zero/Span Valves with IZS & Shutoff Valve (OPT 51C) .....	18
Figure 6-1: Typical Front Panel Display During A-REF Mode .....	21
Figure 6-2: Analog Output Connector Pin Out .....	23
Figure 10-1: TML30U Gas Flow During Auto-Reference Measurements .....	49
Figure 10-2: Auto-Reference Measurement Cycle .....	50
Figure 10-3: TML30U Electronic Overview Block Diagram .....	52
Figure 10-4: TML30U Heating Control Block Diagram .....	53
Figure 10-5: TML30U Oven Heater Configuration Jumpers .....	54
Figure 10-6: TML30U Oven Heater Configuration Circuit .....	54
Figure 10-7: TML30U Distribution Block Diagram .....	56

## LIST OF TABLES

Table 2-1: TML30U Basic Unit Specifications .....	3
Table 3-1: Analog Output Data Type Default Settings .....	7
Table 3-2: Analog Output Pin Outs .....	8
Table 3-3: Status Output Pin Assignments .....	8
Table 3-4: Possible Warning Messages at Start-Up .....	9
Table 5-1: Possible Warning Messages at Start-Up .....	15
Table 6-1: TML30U Operating Modes .....	20
Table 6-2: Test Functions Defined .....	22
Table 6-3: Test Functions Defined .....	31
Table 6-4: TML30U Diagnostic (DIAG) Submenus .....	32
Table 6-5: DIAG - Analog I/O Functions .....	33
Table 6-6: Test Channels Functions Available on the TML30U's Analog Output .....	37
Table 6-7: TML30U Hessen GAS ID List .....	38
Table 6-8: Default Hessen Status Bit Assignments .....	39
Table 7-1: AUTOCAL Modes .....	42
Table 9-1: TML30U Test Function Record .....	47
Table 10-1: Auto-Reference Valve Operating States .....	51
Table 10-2: Relay Board Status LED's .....	55
Table 11-1: Warning Messages - Indicated Failures .....	58
Table 11-2: Test Functions - Indicated Failures .....	60
Table 11-3: Relay Board Status LED Failure Indications .....	62
Table 11-4: Relay Board Control Devices .....	64

## LIST OF APPENDICES

### APPENDIX A: TML30U VERSION SPECIFIC SOFTWARE DOCUMENTATION

APPENDIX A-1: TML30U Software Menu Trees, Revision K.6

APPENDIX A-2: TML30U Setup Variables Available Via Serial I/O, Revision K.6

APPENDIX A-3: TML30U Warnings and Test Measurements via Serial I/O, Revision K.6

APPENDIX A-4: TML30U Signal I/O Definitions, Revision K.6

### APPENDIX B: TML30U SPARE PARTS LIST

### APPENDIX C: REPAIR QUESTIONNAIRE – TML30U

USER NOTES:



# 1. INTRODUCTION

This addendum is based on the TML30/M Operators Manual (P/N 04288). It is intended as a supplement to the TML30/M manual (P/N 04288) and provides an overview of the instrument operation and specific details regarding those areas where the TML30U is different in design or operating method from the TML30.

In most ways the TML30U is identical to the TML30/M in design and operation, therefore most of the basic set up information, operating instructions as well as calibration, maintenance, troubleshooting and repair methods are the same and can be found in the TML30/M manual (P/N 04288).

## 1.1 Reference Numbering Convention

Unless otherwise specified, chapter, section, figure and table reference numbers referred to within this text are relative to this document.

EXAMPLE: "Table 2-1" refers to the figure, within this document, labeled as 2-1.

Additionally, in the electronic version(s) of this manual references internal to this document will be active links to that section, figure or table.

References to chapters, sections, figures and tables in the original document will be labeled as such and will not be an active link.

EXAMPLE: "Figure 6.1 of the TML30/M Operators Manual (P/N 04288)".

## 1.2 TML30U Overview

### NOTE

**The information contained in this addendum is relevant to TML30U analyzers running: SOFTWARE REVISION K.6. Some or all of the information may not be applicable to earlier or later revisions of software.**

**The software revision your analyzer is running is displayed in the upper left-hand corner of the display any time the instrument is in SETUP mode.**

The TML30U is a close derivative of the TML30/M CO Analyzer, however its higher sensitivity require some changes its design and operation.

The primary differences between the TML30U and the TML30/M analyzers are:

**INTERFERENT REJECTION:** Periodically an air reference stream (room, instrument or dilution air) is routed through an internal CO scrubber to the sample chamber allowing the instrument to make a measurement completely free of CO; the measurement made during this auto-reference period (**A-REF**) is subtracted from the sample concentration measurement. This corrects for instrument drift and ambient temperature changes.

**OPERATING METHOD:** An additional operating mode is added allowing the user to manipulate several parameters associated with the **A-REF** measurement cycle.

**IR OPTICS:** The objective and field mirrors on the optical bench are gold plated. This maximizes their reflectivity and increasing the amount of IR light reaching the detector and improving the optical bench's signal-to-noise performance.

**PNEUMATIC OPERATION:** The flow rate is higher. It has a 1.8 LPM nominal flow rate. The flow sensor is rated to 6 LPM.

**MECHANICAL DESIGN:** The optical bench is placed in a temperature-controlled, convection-heated oven. This dramatically reduces instrument noise and temperature related drift.

USER NOTES:

## 2. SPECIFICATIONS, APPROVALS AND WARRANTY

### 2.1 Specifications

Table 2-1: TML30U Basic Unit Specifications

Ranges	User selectable to any full scale range from 0-100 ppb to 0-100 ppm
Measurement Units	ppb, ppm, $\mu\text{g}/\text{m}^3$ , $\text{mg}/\text{m}^3$ (user selectable)
Zero Noise	$\leq 10$ ppb RMS <sup>1,6</sup>
Span Noise	$< 0.5\%$ of reading RMS over 5 ppm <sup>1,3</sup>
Lower Detectable Limit	$< 20$ ppb <sup>1</sup>
Zero Drift (24 hours)	$< 20$ ppb <sup>2</sup>
Zero Drift (7 days)	$< 20$ ppb <sup>2</sup>
Span Drift (24 hours)	$< 0.5\%$ of reading <sup>4</sup>
Span Drift (7 days)	$< 1\%$ of reading <sup>2,4</sup>
Linearity	Better than 1% of Range <sup>5</sup>
Precision	0.5% reading <sup>1,5</sup>
Lag Time	$< 10$ sec <sup>1</sup>
Rise/Fall Time	$< 30$ sec to 95% <sup>1</sup>
Sample Flow Rate	1800 $\text{cm}^3/\text{min}$ . $\pm 20\%$
Temperature Range	15 - 35°C operating
Humidity Range	0-95% RH, Non-Condensing
Voltage Coefficient	$< 0.05\%$ of reading per V
Dimensions (HxWxD)	7" x 17" x 23.5" (178 mm x 432 mm x 597 mm)
Weight	50 lb (22.7 kg)
AC Power	100V 50/60 Hz (3.25A), 115 V 60 Hz (3.0A), 220 – 240 V 50/60 Hz (2.5A)
Environmental Conditions	Installation Category (Over voltage Category) II Pollution Degree 2
Analog Outputs	Three (3) Outputs
Analog Output Ranges	100 mV, 1 V, 5 V, 10 V, 2-20 or 4-20 mA isolated current loop. All Ranges with 5% Under/Over Range
Analog Output Resolution	1 part in 4096 of selected full-scale voltage
Status Outputs	8 Status outputs from opto-isolators
Control Inputs	6 Control Inputs, 2 defined, 4 spare
I/O	One (1) RS-232; One (1) RS-485/RS-232/Ethernet Baud Rate : 300 - 115200
Certifications	CE: EN61010-1:90 + A1:92 + A2:95, EN61326 - Class A
<sup>1</sup> As defined by the USEPA <sup>2</sup> At constant temperature and voltage <sup>3</sup> Or 10 ppb, whichever is greater <sup>4</sup> Or 10 ppb, whichever is greater <sup>5</sup> Above 1 ppm range, otherwise 20 ppb for lower ranges	

## 2.2 EPA Equivalency Designation

The TML30U has not been certified by the EPA as an equivalent method at the time of this writing however it is anticipated that the TML30U will qualify as Reference Method Number EQSA-0495-100 per 40 CFR Part 53 in the near future.

Therefore the information found in Section 2.2 of the TML30/M Operators Manual (P/N 04288) is applicable to the TML30U with the following exception(s):

Range: Any range from 100 ppb to 100 ppm.

Ambient temperature range of 15 to 35°C.

Sample filter: Equipped with PTFE filter element in the external filter assembly.

Sample flow of  $1800 \pm 360$  cm<sup>3</sup>/min at sea level.

Calibration valve options.

Option 50A – Zero/Span Valves;

Option 51B – Zero / Span Valves with Zero Scrubber.

Option 51C – Zero / Span Valves with Zero Scrubber & Shut-off Valves

## 2.3 CE Mark Compliance

See Section 2.3 of the TML30/M manual (P/N 04288)

## 2.4 Warranty

See Section 2.4 of the TML30/M manual (P/N 04288)

---

## USER NOTES:

## 3. GETTING STARTED

### 3.1 Unpacking the TML30U

Unpack the TML30U as per the directions in Section 3.1 of the TML30/M manual (P/N 04288), with the exception that there are no shipping screws.

### 3.2 TML30U analyzer Layout

The front panel of the TML30U is identical to that of the TML30/M (see Figure 3-1 of the TML30/M Operators Manual (P/N 04288)). The Rear Panel is also very similar to that of the TML30/M, the difference being that the instrument's particulate filter is mounted externally on the upper left side of the rear panel rather than internally as on the TML30/M. There is also a port for reference air (room, instrument or dilution) used by the AUTO-REF feature.

On the other hand, the internal layout of the TML30U is quite different from the TML30/M. Most of these differences are related to the need to create a thermally insulated, convection-heated oven in which the optical bench temperature is raised and maintained at a high and very stable temperature.

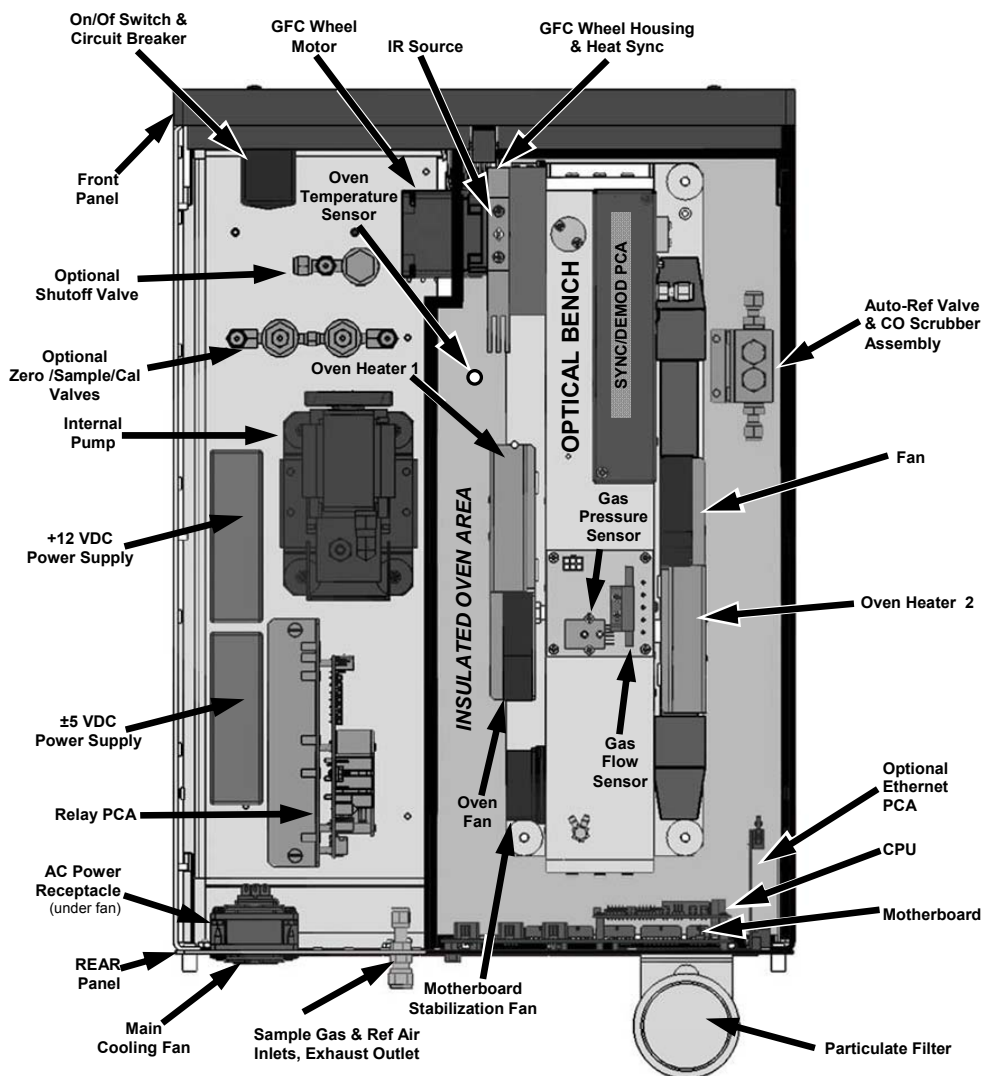


Figure 3-1: TML30U Internal Layout

The pneumatic flow of the TML30U is different from the TML30/M in:

An additional gas path that passes reference air through a CO scrubber used during the auto-reference cycle.

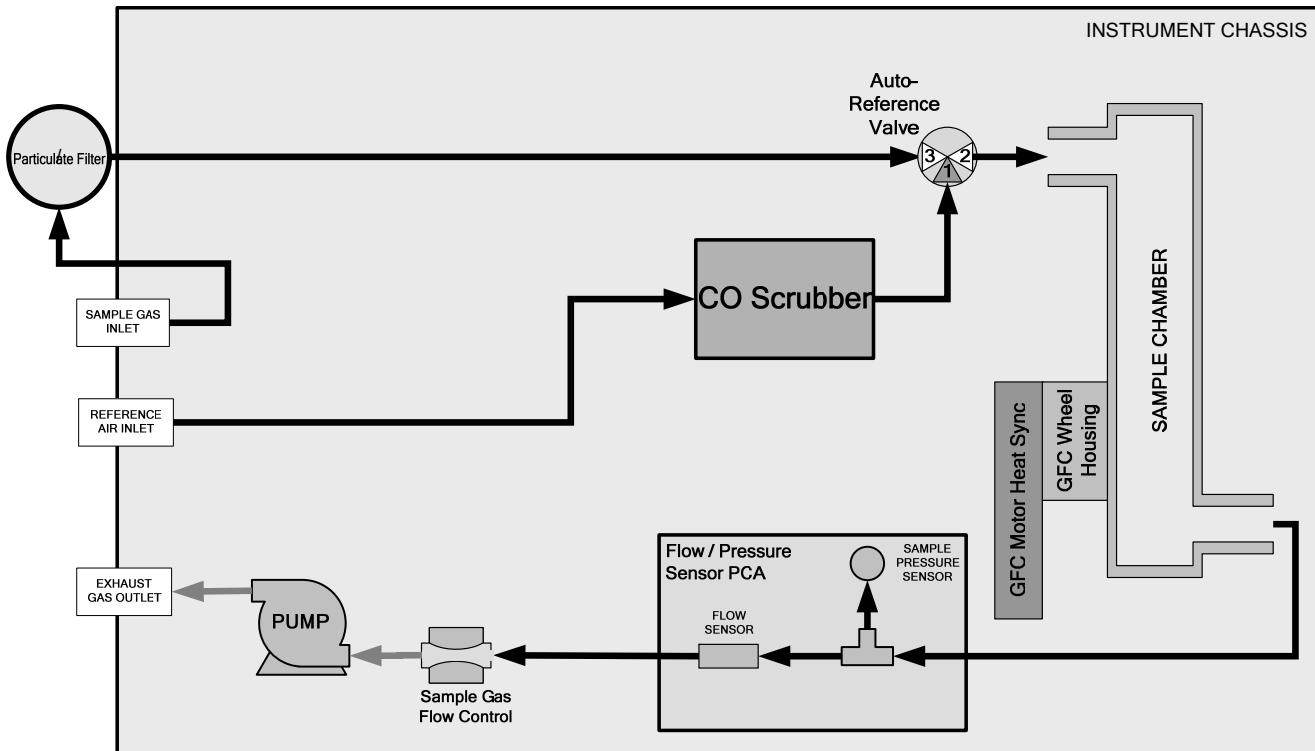


Figure 3-2: TML30U Internal Gas Flow

### 3.3 Electrical Connections

The information found in Section 3.1.2 of the TML30/M Operators Manual (P/N 04288) is applicable to the TML30U with the following exceptions.

#### 3.3.1 Power Connection

The information found in Section 3.1.2.1 of the TML30/M manual (P/N 04288) is correct for the TML30U.

#### 3.3.2 Analog Output Connections

The analog outputs for the TML30U are different from those of the TML30/M. Unlike the TML30/M which can include options for measuring both O<sub>2</sub> and CO, the TML30U is a single gas analyzer (CO) and therefore does not require the fully configurable version of the analog outputs. The following information replaces that found in Section 3.1.2.2 of the TML30/M Operators Manual (P/N 04288).

The TML30U is equipped with several analog output channels accessible through a connector on the back panel of the instrument.

Channels **A1** and **A2** output a signal that is proportional to the CO concentration of the sample gas.

The default analog output voltage setting of these channels is 0 to 5 VDC with a reporting range of 0 to 500 ppb.

An optional Current Loop output is available for each.

The output labeled **A4** is special. It can be set by the user to output any one a variety of diagnostic test functions.

The default analog output voltage setting of these channels is also 0 to 5 VDC.

See Section 6.7.3 for a list of available functions.

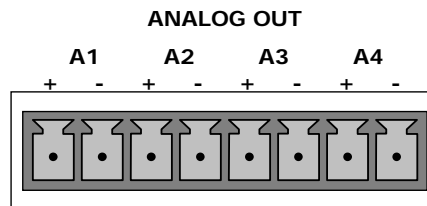
There is **NO** optional Current Loop output is available for Channel **A4**.

The following table lists the default settings for each of these channels.

**Table 3-1: Analog Output Data Type Default Settings**

PARAMETER	CHANNEL DEFAULT SETTING			
	A1	A2	A3	A4 <sup>1</sup>
DATA TYPE <sup>1</sup>	CONC1	CONC2	Not Available	TEST CHANNEL
RANGE	0 – 5 VDC <sup>2</sup>			
OVERRANGE	ON			
REC OFS	0 mVDC			
AUTO CAL.	ON			
CALIBRATED	NO			
OUTPUT	ON			
<sup>1</sup> See Table A-6 of TML30/M Appendix A for definitions of these iDAS data types				
<sup>2</sup> Optional current loop outputs are available for analog output channels <b>A1</b> & <b>A2</b> .				

To access these signals attach a strip chart recorder and/or data-logger to the appropriate analog output connections on the rear panel of the analyzer. Pin-outs for the analog output connector are:



**Figure 3-3: TML30U Analog Output Connector**


Table 3-2: Analog Output Pin Outs

Pin	Analog Output	Standard Voltage Output	Current Loop Option
1	A1	V Out	I Out +
2		Ground	I Out -
3	A2	V Out	I Out +
4		Ground	I Out -
5	A3	NOT USED	
6			
7	A4	V Out	Not Available
8		Ground	Not Available

### 3.3.3 Connecting the Status Outputs

The information found in Section 3.1.2.3 of the TML30/M Operators Manual (P/N 04288) is correct with the following exception:

Table 3-3: Status Output Pin Assignments

Output #	Status Definition	Condition
1	SYSTEM OK	On if no faults are present.
2	CONC VALID	On if CO concentration measurement is valid. If the CO concentration measurement is invalid, this bit is OFF.
3	HIGH RANGE	On if unit is in high range of <b>DUAL</b> or <b>AUTO</b> Range Modes.
4	ZERO CAL	On whenever the instruments ZERO point is being calibrated.
5	SPAN CAL	On whenever the instruments SPAN point is being calibrated.
6	DIAG MODE	On whenever the instrument is in DIAGNOSTIC mode.
7	A-REF	On whenever the instrument in is A-REF mode.
8	SPARE	
D	EMITTER BUSS	The emitters of the transistors on pins 1-8 are bussed together.
+	DC POWER	+ 5 VDC
	Digital Ground	The ground level from the analyzer's internal DC Power Supplies.

## 3.4 Initial Operation of the TML30U

### NOTE

The analyzer's cover must be installed and securely fastened to ensure that the convection oven portion of the internal layout is capable of properly creating and controlling temperatures of the analyzer's optical bench.



### 3.4.1 Startup and Warm up of the TML30U

The process for starting and warming up the TML30U is identical to that described in Sections 3.2.1 and 3.2.2 of the TML30/M Operators Manual (P/N 04288) except:

It is best to allow the TML30U to operate uninterrupted for at least 2 hours to allow the temperature of all areas of the convection oven area to equalize.

### 3.4.2 Warning Messages

The information found in Section 3.2.3 of the TML30/M Operators Manual (P/N 04288) is applicable to the TML30U with the following exception(s)

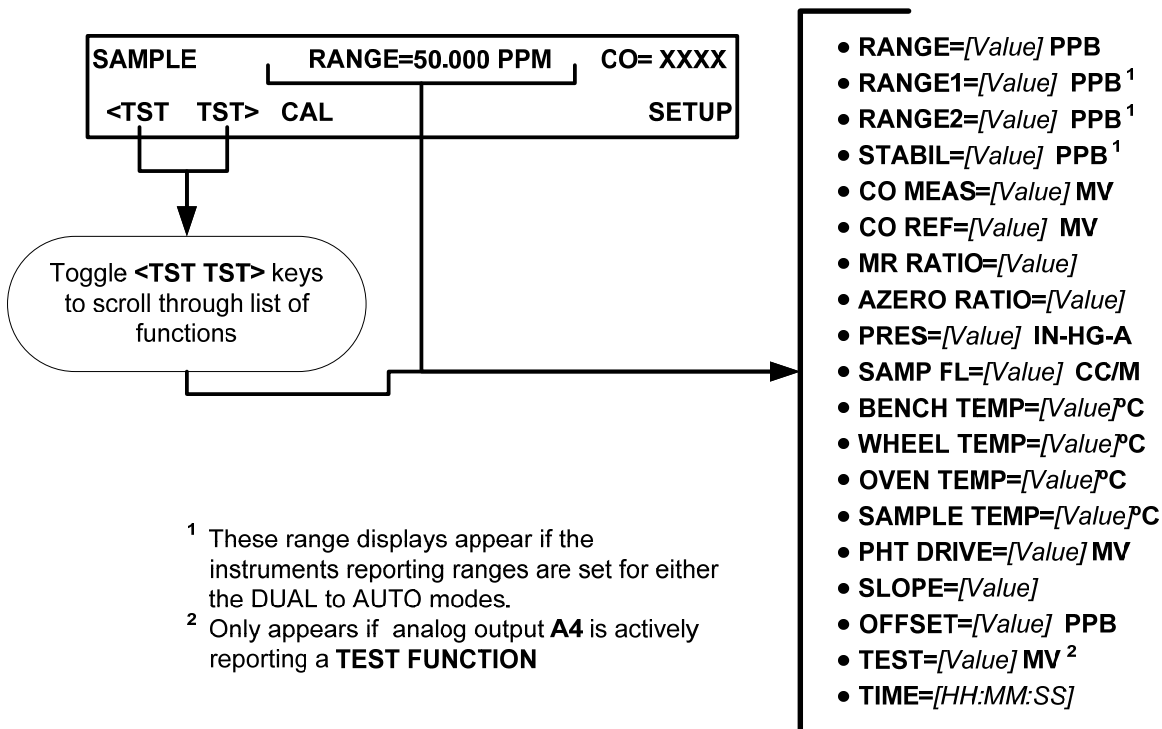
**Table 3-4: Possible Warning Messages at Start-Up**

MESSAGE	MEANING
<b>ANALOG CAL WARNING</b>	The instrument's A/D circuitry or one of its analog outputs is not calibrated.
<b>AZERO WARN 1.001</b>	Auto-reference ratio below the specified limits.
<b>BENCH TEMP WARNING</b>	Optical bench temperature is outside the specified limits.
<b>BOX TEMP2 WARNING</b>	<b>The temperature inside the TML30U chassis is outside the specified limits (Replaces BOX TEMP WARNING)</b>
<b>CANNOT DYN SPAN</b>	Remote span calibration failed while the dynamic span feature was set to turned on
<b>CANNOT DYN ZERO</b>	Remote zero calibration failed while the dynamic zero feature was set to turned on
<b>CONFIG INITIALIZED</b>	Configuration was reset to factory defaults or was erased.
<b>DATA INITIALIZED</b>	iDAS data storage was erased.
<b>FRONT PANEL WARN</b>	Firmware is unable to communicate with the front panel.
<b>OVEN TEMP WARNING</b>	<b>The temperature of the insulated convection oven area of the analyzer is outside of the specified limits.</b>
<b>PHOTO TEMP WARNING</b>	Photometer temperature outside of warning limits specified by PHOTO_TEMP_SET variable.
<b>REAR BOARD NOT DET</b>	The CPU is unable to communicate with the motherboard.
<b>RELAY BOARD WARN</b>	The firmware is unable to communicate with the relay board.
<b>SAMPLE FLOW WARN</b>	The flow rate of the sample gas is outside the specified limits.
<b>SAMPLE PRESS WARN</b>	Sample pressure outside of operational parameters.
<b>SAMPLE TEMP WARN</b>	The temperature of the sample gas is outside the specified limits.
<b>SOURCE WARNING</b>	The IR source may be faulty.
<b>SYSTEM RESET</b>	The computer was rebooted.
<b>WHEEL TEMP WARNING</b>	The Gas Filter Correlation wheel temperature is outside the specified limits.

### 3.4.3 Functional Check

The information found in Section 3.2.4 of the TML30/M Operators Manual (P/N 04288) regarding performing an initial functional check of the analyzer is applicable to the TML30U with the following exception(s).

The Test functions available from the front panel of the TML30U are:



## 3.5 Initial Calibration

### 3.5.1 Pre-Calibration Stabilization

Before initially calibrating the TML30U it must be allowed to operate for a minimum of 12 hours.

After this stabilization period is complete and just prior to performing the initial calibration, manually initiate an auto-reference measurement by following the instructions in Section 6.4.2.

### 3.5.2 Basic CO Calibration Setup

#### NOTE

The following procedure assumes that the instrument does not have any of the available Zero/Span Valve Options installed.

To perform the following calibration you must have sources for zero air and span gas available for input into the sample port on the back of the analyzer. See Section 3.1.3 of the TML30/M Operators Manual (P/N 04288) for instructions for connecting these gas sources.

#### NOTE

All Gas lines should be PTFE (Teflon), FEP, glass, stainless steel or brass.

### 3.5.2.1 Calibration Gases

The information found in Section 3.1.3.2 of the TML30/M Operators Manual (P/N 04288) is applicable to the TML30U with the following exception:

#### ZERO AIR

A gas that is similar in chemical composition to the earth's atmosphere but scrubbed of all components that might affect the analyzer's readings, in this case CO and water vapor.

For the TML30U this gas **MUST** include at least 5% O<sub>2</sub> (required for the proper operation of the analyzer's CO scrubber).

For analyzers without an IZS or external zero air scrubber option, a zero air generator such as the Teledyne Instruments Model 701 can be used.

#### NOTE

**The zero air generator **MUST** be equipped with a hydrocarbon (HC) & CO scrubber option.**

**For the Teledyne Instruments M701, this is Option 2B.**

### 3.5.3 Basic CO Calibration Procedure

The initial calibration should be carried out using the same reporting range set up as used during the analyzer's factory calibration. This will allow you to compare your calibration results to the factory calibration as listed on the *Final Test and Validation Data Sheet*.

Because the TML30U's analog output setup differs from that of the TML30/M and because the TML30U cannot have be modified to include the optional CO<sub>2</sub> or O<sub>2</sub> sensor packages, there are some minor differences in the initial Calibration procedure as described in Section 3.3 of the TML30/M Operators Manual (P/N 04288).

These are:

STEP 1 - Set Limits:

Reporting Range Limit should be set to 50.000 ppm.

STEP 2 – Dilution Ratio:

Ignore this step

STEP 3 – Set CO Span Gas Concentration

The CO span gas concentration should be 40.000 ppm

STEP 4 – Zero/Span CalibratiOn

Set the display to show the **STABILITY** test function.

There is no **GAS TO CAL** step because the TML30U cannot be modified to include the O<sub>2</sub> and CO<sub>2</sub> sensor packages.

Ignore Sections 3.3.2 and 3.3.3 of the TML30/M Operators Manual (P/N 04288) since they relate to sensor options not available on the TML30U.

## USER NOTES:

## **4. FREQUENTLY ASKED QUESTIONS & GLOSSARY**

The information found in Chapter 4 of the TML30/M Operators Manual (P/N 04288) is applicable to the TML30U.

**USER NOTES:**

## USER NOTES:

## 5. Optional Hardware and Software

The following table lists the optional hardware available for the TML30x family of analyzers. There are no additional options available for the TML30U that are not also available for the TML30/M.

For descriptions of these options and their use please see Chapter 5 of the TML30/M Operators Manual (P/N 04288).

**Table 5-1: Possible Warning Messages at Start-Up**

OPTION NO.	DESCRIPTION	TML30	TML30M	TML30U
<b>PUMP PACKS</b>				
10A	External Pump 115V/60Hz	X	X	X
10B	External Pump 220V/50Hz	X	X	X
10C	External Pump 220V/60Hz	X	X	X
10D	External Pump 100V/50Hz	X	X	X
10E	External Pump 100V/60Hz	X	X	X
13	High Voltage Internal Pump 240V/50Hz (E Series non-NOx internal pump)	X	X	
<b>RACK MOUNTING</b>				
20A	Rack Mount with Chassis Slides - 26"	X	X	X
20B	Rack Mount with Chassis Slides - 24"	X	X	X
21	Rack Mount, Ears only (No Slides)	X	X	X
23	Rack Mount for External Pump Pack (No Slides)	X	X	X
29	Carrying Handle (Strap)	X	X	X
<b>RANGE &amp; OUTPUT OPTIONS</b>				
41	Isolated 0-20 or 4-20 mA output	X	X	X
<b>EXPENDABLES KITS &amp; SPARES</b>				
42A	Expendable Kit for one year operation	X	X	X
<b>VALVES AND IZS</b>				
50A	Zero/Span Valves	X	X	X
51B	Zero / Span Valves with Zero Scrubber	X	X	X
51C	Zero / Span Valves with Zero Scrubber & Shut-off Valves	X	X	X
<b>COMMUNICATIONS</b>				
60A	RS232 Cable DB9F to DB25M	X	X	X
60B	RS232 Cable DB9F to DB9F	X	X	X
60C	CATS, 7 (2m) RJ-45	X	X	X
62	RS232 Multidrop	X	X	X
63A	Ethernet	X	X	X
63C	Multidrop/Ethernet Combo	X	X	X
<b>SECOND SENSORS</b>				
65A	Paramagnetic O2 Sensor	X	X	
67A	CO2 Sensor 20%		X	
67B	CO2 Sensor 5%		X	
67C	CO2 Sensor 2000 PPM	X		
<b>MANUALS</b>				
70A	Additional Manual	X	X	X
70B	Manual on CD	X	X	X

For assistance with ordering these options, please contact the Sales department of Teledyne Monitor Labs at:

**TOLL-FREE:** 800-846-6062  
**FAX:** 303-799-4853  
**TEL:** 303-792-3300  
**E-MAIL:** [tml\\_support@teledyne.com](mailto:tml_support@teledyne.com)  
**WEB SITE:** [www.teledyne-ml.com](http://www.teledyne-ml.com)

## 5.1 Calibration Valve Options for the TML30U

The various valve options available on the TML30U are implemented in the same manner as described in the corresponding sections of the TML30/M Operators Manual (P/N 04288) with the following exception(s).

### 5.1.1 Zero Span Valves (OPT 50A)

Because of the addition of the auto-reference gas path, the internal pneumatics gas flow of the TML30U is somewhat different from the TML30/M. Otherwise, the information found in Section 5.4.3 of the TML30/M Operators Manual (P/N 04288) is applicable to the TML30U.

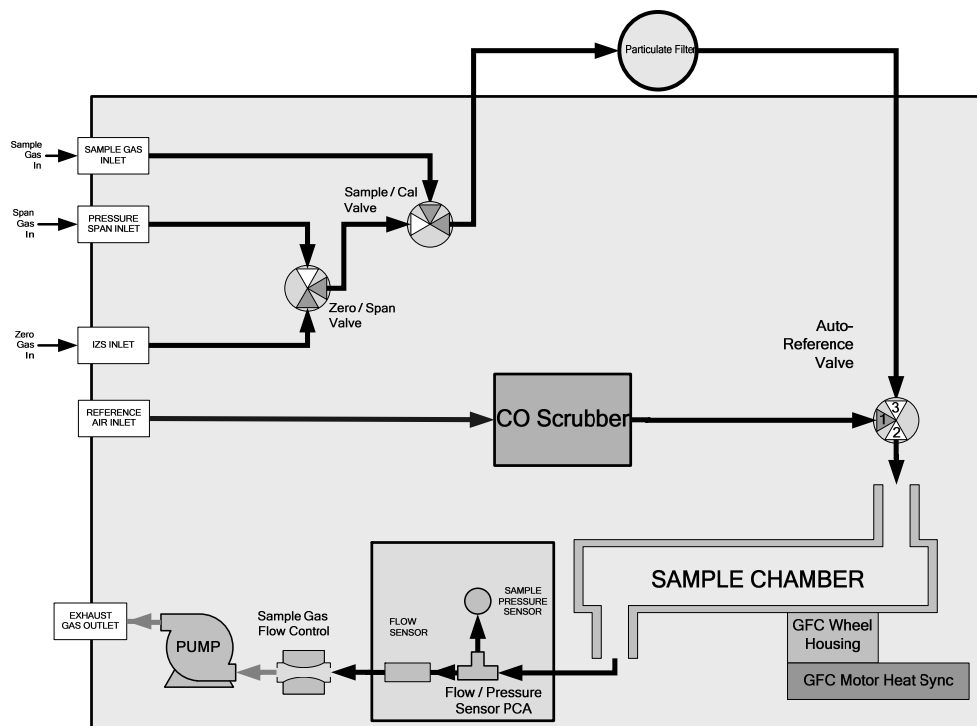


Figure 5-1: TML30U Internal Pneumatic Flow– Zero/Span Valves (OPT 50A)



### 5.1.2 Zero Span Valves with IZS (OPT 51B)

Because of the addition of the auto-reference gas path, the internal pneumatics gas flow of the TML30U is somewhat different from the TML30/M. Otherwise, the information found in Section 5.4.4 of the TML30/M Operators Manual (P/N 04288) is applicable to the TML30U.

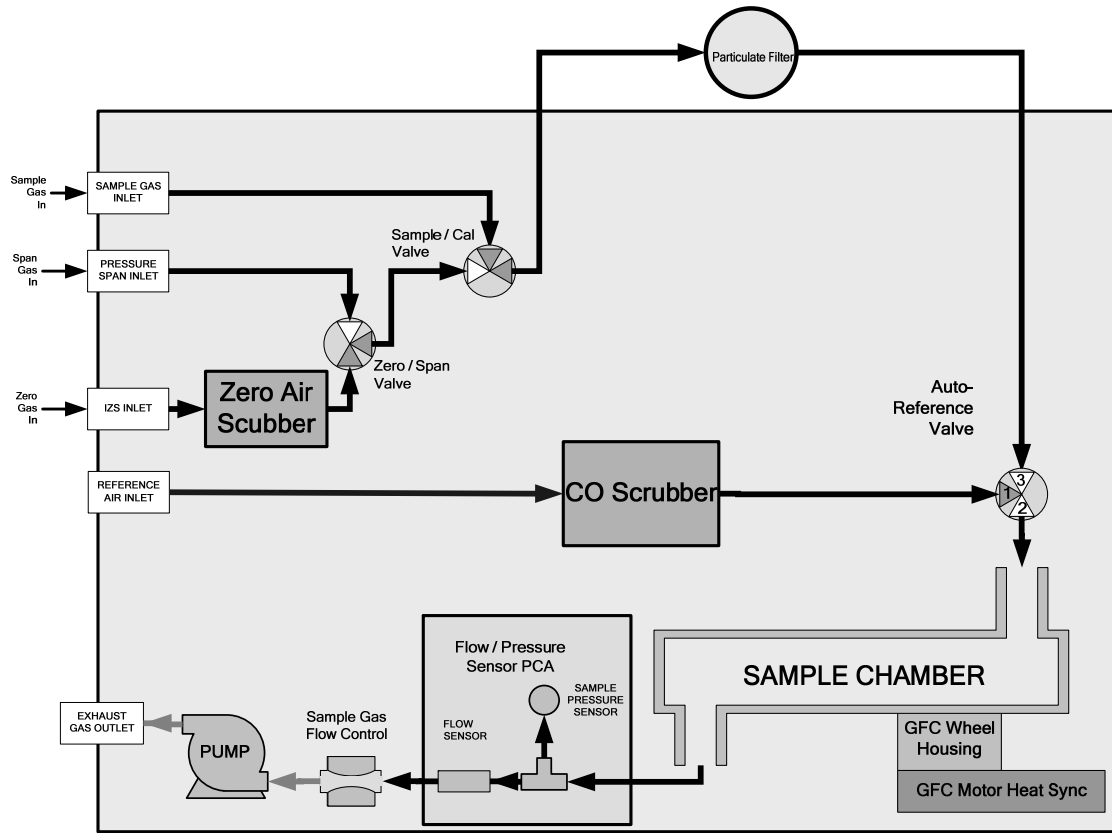


Figure 5-2: TML30U Internal Pneumatic Flow– Zero/Span Valves with IZS (OPT 51B)

### 5.1.3 Zero Span Valves with IZS and Shutoff Valve (OPT 51B)

Because of the addition of the auto-reference gas path and the multi-tube Nafion<sup>®</sup> dryer, the internal pneumatics gas flow of the TML30U is somewhat different from the TML30/M. Otherwise, the information found in Section 5.4.4 of the TML30/M Operators Manual (P/N 04288) is applicable to the TML30U.

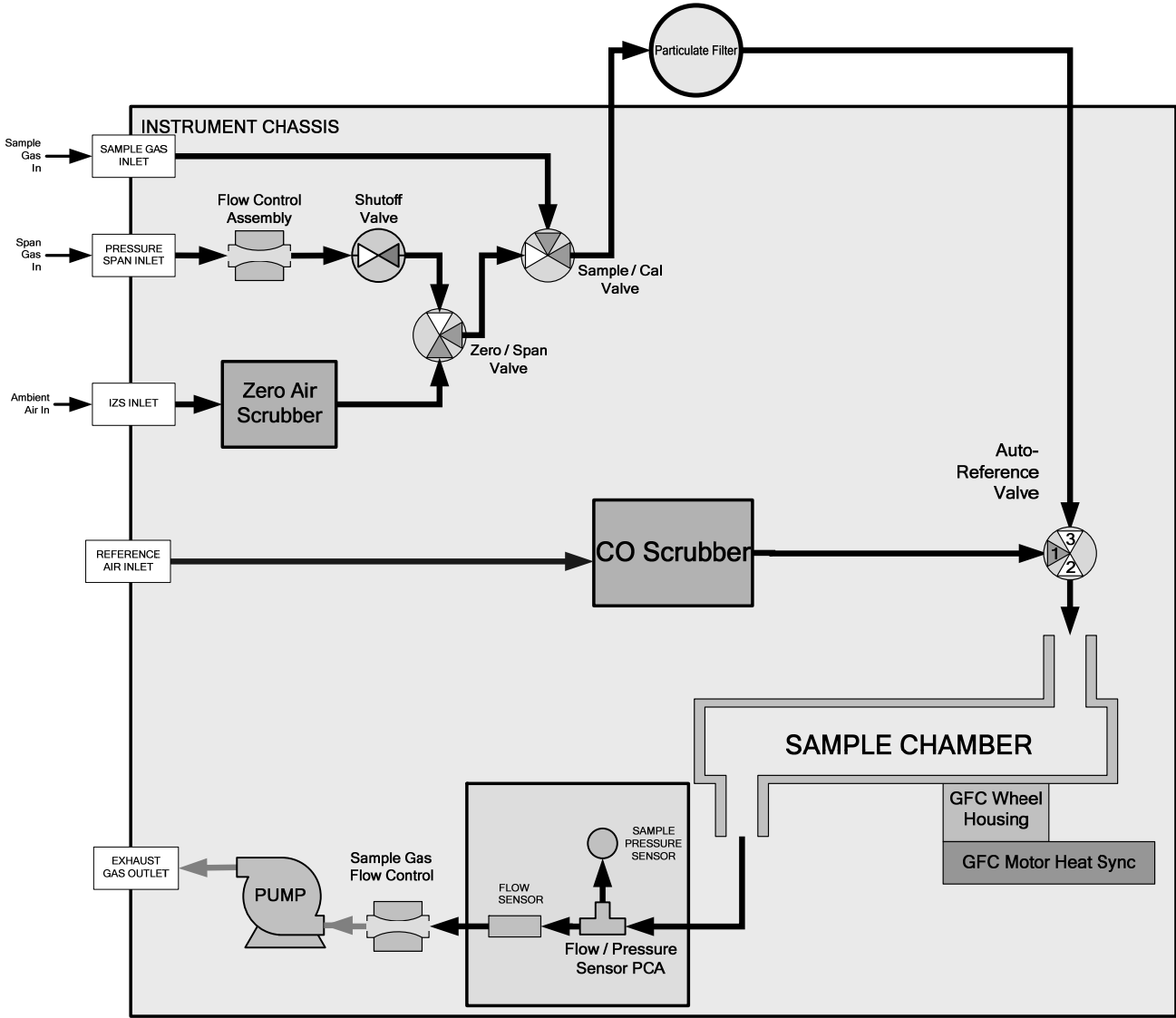


Figure 5-3: TML30U Internal Pneumatic Flow– Zero/Span Valves with IZS & Shutoff Valve (OPT 51C)

## USER NOTES:

## **6. TML30U OPERATING INSTRUCTIONS**

### **6.1 Summary of Differences Between Operating the TML30U and the TML30/M Analyzers**

For the most part the operation instruction for the TML30U are the same as those described in Chapter 6 of the TML30/M manual (P/N 04288) with the following exceptions:

There are several additional Test functions related to the optical bench's convection oven and the **A-REF** cycle (see Section 6.2.2).

There is an additional warning message related to the optical bench's convection oven (see Section 3.4.2)

There is an additional operating mode, **AREF**, which can be used to force the instrument to make an auto-reference measurement and calculation.

There are several additional iDAS trigger events and parameters (see Appendix A of this addendum).

The reporting range setup and configuration of the A1 and A2 analog outputs is different (see Section 6.3).

The optional O<sub>2</sub> and CO<sub>2</sub> sensor packages available for the TML30/M are not available on the TML30U. Ignore all references to these in the TML30/M Operators Manual (P/N 04288) when operating the TML30U.

The set of available VARS is different (see Section 6.5).

The set of submenus available under the **DIAG** menu is slightly different (see Section 6.6).

The set of signals available under the **DIAG → SIGNAL I/O** submenu is different (see Appendix A of this addendum).

Because of the difference in how the analog output ranges are implemented between the TML30/M and the TML30U, there are some differences in **DIAG → ANALOG I/O CONFIGURATION** submenu (see Section 6.7.1).

There are no alarm outputs available of the TML30U. Ignore Section 6.14 of the TML30/M Operators Manual (P/N 04288).

There is an additional **STATUS OUTPUT** related to the **A-REF** cycle (see Section 3.3.3).

The default Hessen protocol gas ID and status flag list is different from that of the TML30/M (see Section 6.7.4).

## 6.2 Operating Modes

The information found in Section 6.1 of the TML30/M Operators Manual (P/N 04288) is applicable to the TML30U with the following exception(s).

The following table supersedes Table 6-2 of the TML30/M Operators Manual (P/N 04288).

**Table 6-1: TML30U Operating Modes**

MODE	MEANING
<b>A-REF</b>	The analyzer is currently recording values for CO MEAS and CO ref, while the sample gas stream is being routed through the CO scrubber of the auto-reference gas path.
<b>DIAG</b>	One of the analyzer's diagnostic modes is being utilized.
<b>M-P CAL</b>	This is the basic, multi-point calibration mode of the instrument and is activated by pressing the <b>CAL</b> key.
<b>SAMPLE</b>	Sampling normally, flashing indicates adaptive filter is on.
<b>SAMPLE A</b>	Indicates that unit is in <b>SAMPLE</b> Mode and <b>AUTOCAL</b> feature is activated.
<b>SETUP<sup>1</sup></b>	SETUP mode is being used to configure the analyzer (CO sampling will continue during this process as well as data collection and output).
<b>SPAN CAL A<sup>2</sup></b>	Unit is performing span cal procedure initiated automatically by the analyzer's AUTOCAL feature.
<b>SPAN CAL M<sup>2</sup></b>	Unit is performing span cal procedure initiated manually by the user.
<b>SPAN CAL R<sup>2</sup></b>	Unit is performing span cal procedure initiated remotely via the RS-232, RS-4485 or digital i/o control inputs.
<b>ZERO CAL A<sup>2</sup></b>	Unit is performing zero cal procedure initiated automatically by the analyzer's AUTOCAL feature.
<b>ZERO CAL M<sup>2</sup></b>	Unit is performing zero cal procedure initiated manually by the user.
<b>ZERO CAL R<sup>2</sup></b>	Unit is performing zero cal procedure initiated remotely via the RS-232, RS-4485 or digital I/O control inputs.
<sup>1</sup> The revision of the Teledyne Instruments software installed in this analyzer will be displayed following the word <b>SETUP</b> . E.g. " <b>SETUP G.5</b> " <sup>2</sup> The various <b>CAL</b> modes allow calibration of the analyzer. Because of their importance, these modes are described separately in Chapter 7 of the TML30/M Operators Manual (P/N 04288).	

## 6.2.1 Auto-Reference Mode (AREF)

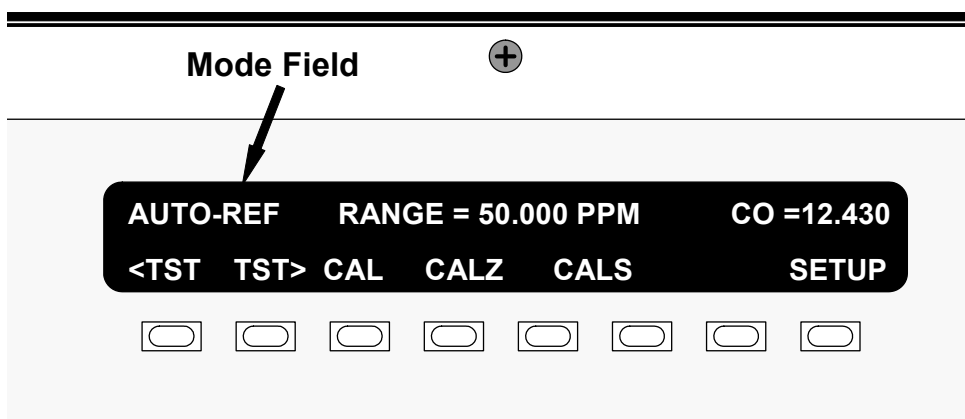
One of the most significant differences between the TML30/M and the TML30U analyzers is the auto-reference measurement feature. In this mode, the analyzer makes special measurements and calculations that are applied to the CO concentration calculation to dramatically improve interferent rejection as well as compensate for changes in ambient temperature of the sample gas and age related drift of the optical bench components (see Section 10.1.1 for detailed information about how and when this **A-REF** feature occurs).

When in **A-REF** mode, the analyzer:

- Freezes the CO concentration reading displayed on the front panel and output via the analog outputs or COM Ports.

- Displays the Message **AUTO-REF** in the mode field of the analyzer's front panel.

- Sets the **A-REF** status output (pin-7 on the status output connector) to high.



**Figure 6-1: Typical Front Panel Display During A-REF Mode**

**NOTE:**

Initiating a calibration through either the keyboard, the COMM ports or digital control inputs terminates the A-REF mode.

Also, when the instrument is in calibration mode, the A-REF mode is suppressed until the instrument exits calibration mode.

See Section 6.4 for information about changing the **A-REF** cycle time or manually initiating an auto-reference measurement.

## 6.2.2 Test Functions

The information found in Section 6.2.1 of the TML30/M Operators Manual (P/N 04288) is applicable to the TML30U with the following exception(s):

The following table supersedes Table 6-2 of the TML30/M Operators Manual (P/N 04288).

**Table 6-2: Test Functions Defined**

Parameter	Display Title	Units	Meaning
RANGE -- RANGE1 RANGE2	<b>RANGE</b>	PPB, PPM UGM, MGM	The full-scale limit at which the output range of the analyzer's Analog Outputs is currently set. <ul style="list-style-type: none"> <li><b>THIS IS NOT</b> the Physical Range of the instrument. See Section 6.3.2 for more information.</li> </ul> If <b>DUAL</b> or <b>AUTO</b> Range modes have been selected, two <b>RANGE</b> functions will appear, one for each range.
Stability	<b>STABIL</b>	PPB, PPM UGM, MGM	Standard deviation of CO concentration readings. Data points are recorded every ten seconds using the last 25 data points. This function can be reset to show O <sub>2</sub> or CO <sub>2</sub> stability in instruments with those sensor options installed.
CO Measure	<b>MEAS</b>	MV	The demodulated, peak IR detector output during the measure portion of the CFG Wheel cycle.
CO Reference	<b>REF</b>	MV	The demodulated, peak IR detector output during the reference portion of the CFG wheel cycle.
Measurement / Reference Ratio	<b>MR Ratio</b>	-	The result of <b>CO MEAS</b> divided by <b>CO REF</b> based on readings taken during the normal sample measurement portion of the <b>A-REF</b> cycle. This ratio is the primary value used to compute CO concentration. The value displayed is not linearized.
<b>Auto-Reference Ratio</b>	<b>AZERO RATIO</b>	-	<b>The result of CO MEAS divided by CO REF based on readings taken during the zero-reference portion of the A-REF cycle. This ratio is the used to compute a reference correction factor for computing the CO concentration. The value displayed is not linearized.</b>
Sample Pressure	<b>PRES</b>	In-Hg-A	The absolute pressure of the Sample gas as measured by a pressure sensor located inside the sample chamber.
Sample Flow	<b>SAMPLE FL</b>	cm <sup>3</sup> /min	Sample mass flow rate as measured by the flow rate sensor in the sample gas stream,
Sample Temperature	<b>SAMP TEMP</b>	°C	The temperature of the gas inside the sample chamber.
Bench Temperature	<b>BENCH TEMP</b>	°C	Optical bench temperature.
Wheel Temperature	<b>WHEEL TEMP</b>	°C	GFC wheel temperature.
Box Temperature	<b>BOX TEMP</b>	°C	The temperature inside the analyzer chassis.
Oven Temperature	<b>OVEN TEMP<sup>2</sup></b>	°C	The current temperature of the circulating air inside the TML30U's convection oven area.
Photo-detector Temp. Control Voltage	<b>PHT DRIVE</b>	mV	The drive voltage being supplied to the thermoelectric coolers of the IR photo-detector by the sync/demod Board.
Slope	<b>SLOPE</b>	-	The sensitivity of the instrument as calculated during the last calibration activity. The <b>SLOPE</b> parameter is used to set the span calibration point of the analyzer.
Offset	<b>OFFSET</b>	-	The overall offset of the instrument as calculated during the last calibration activity. The <b>OFFSET</b> parameter is used to set the zero point of the analyzer response.
Test Channel Output	<b>TEST</b>	mV	The raw voltage being output on the analyzer's A4 analog output. Only appears when the test channel is assigned a function.
Current Time	<b>TIME</b>	-	The current time. This is used to create a time stamp on iDAS readings, and by the <b>AUTOCAL</b> feature to trigger calibration events.

## 6.3 SETUP → RNGE: Analog Output Reporting Range Configuration

### 6.3.1 Physical Range versus Analog Output Reporting Ranges

Functionally, the TML30U analyzer has one hardware “physical range” that is capable of determining CO concentrations between 0 ppb and 100,000 ppb. This architecture improves reliability and accuracy by avoiding the need for extra switchable, gain-amplification circuitry. Once properly calibrated, the analyzer’s front panel will accurately report concentrations along the entire span of its physical range. TML30U analyzer’s physical range can create data resolution problems for most analog recording devices. For example, in an application where the expected concentration of CO is typically less than 1000 ppb, the full scale of expected values is only 1% of the instrument’s 100,000 ppb physical range. Unmodified, the corresponding output signal would also be recorded across only 1% of the range of the recording device.

The TML30U solves this problem by allowing the user to select a scaled reporting range for the analog outputs that only includes that portion of the physical range relevant to the specific application.

#### NOTE

Only the reporting range of the analog outputs is scaled.

Both the iDAS values stored in the CPU’s memory and the concentration values reported on the front panel are unaffected by the settings chosen for the reporting range(s) of the instrument.

### 6.3.2 Analog Output Ranges for CO Concentration

The analyzer has two active analog output signals related to CO concentration that are accessible through a connector on the rear panel.

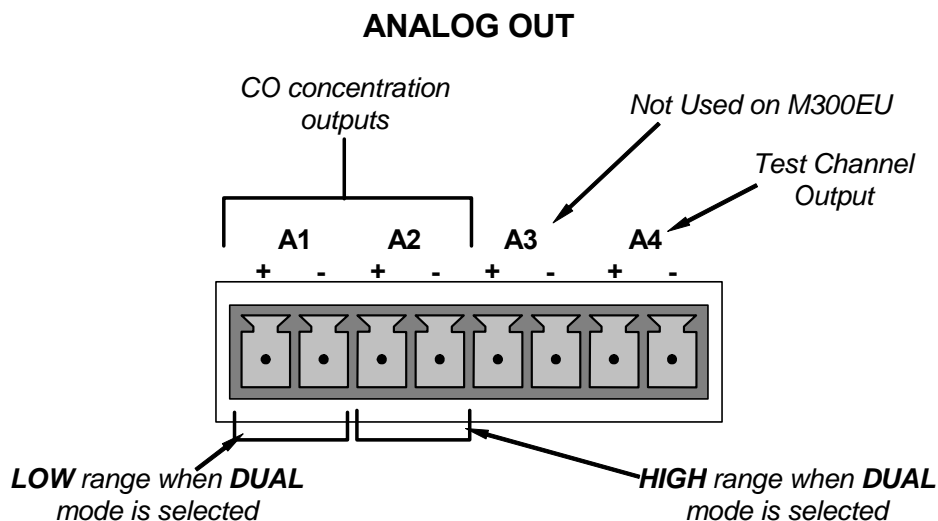


Figure 6-2: Analog Output Connector Pin Out

The **A1** and **A2** channels output a signal that is proportional to the CO concentration of the sample gas. They can be configured:

With independent reporting ranges reporting a “single” output signal (**SNGL** Mode, see Section 6.3.3).

To operate completely independently (**DUAL** mode, see Section 6.3.4). In this mode the user can set the measure span and signal scale of each output in a variety of combinations (but not the units of measure).

EXAMPLE:

**A1** OUTPUT: Output Signal = 0-5 VDC representing 0-1000 ppb concentration values

**A2** OUTPUT: Output Signal = 0 – 10 VDC representing 0-500 ppb concentration values.

Or to automatically switch between the two ranges dynamically as the concentration value fluctuates (**AUTO** modes, see Section 6.3.5).

Both the **A1** and **A2** outputs can be:

Configured full scale outputs of: 0 - 0.1 VDC; 0 - 1VDC; 0 - 5VDC or; 0 - 10VDC.

Equipped with optional 0-20 mA DC current loop drivers and configured for any current output within that range (e.g. 0-20, 2-20, 4-20, etc.).

The user may also add a signal offset independently to each output (see Section 6.7.1) to match the electronic input requirements of the recorder or data logger to which the output is connected.

#### DEFAULT SETTINGS

The default setting for these the reporting ranges of the analog output channels **A1** and **A2** are:

SNGL mode

0 to 500.0 ppb

0 to 5 VDC

Reporting range span may be viewed via the front panel by viewing the **RANGE** test function. If the **DUAL** or **AUTO** modes are selected, the **RANGE** test function will be replaced by two separate functions, **RANGE1** & **RANGE2**. Reporting range status is also available as output via the external digital I/O status bits.

#### NOTE

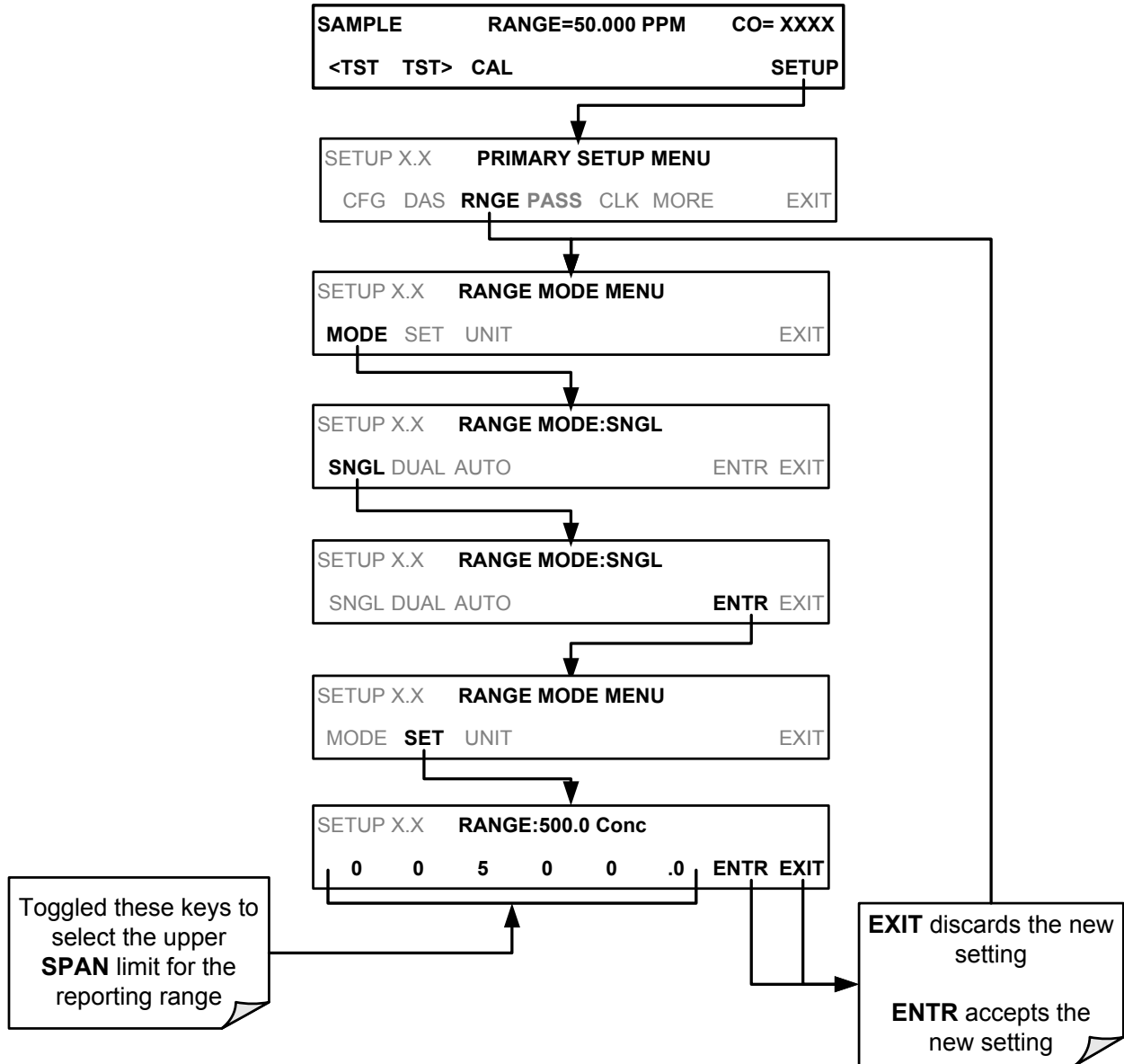
Upper span limit setting for the individual range modes are shared. Resetting the span limit in one mode also resets the span limit for the corresponding range in the other modes as follows:

<u>SNGL</u>		<u>DUAL</u>		<u>AUTO</u>
Range	↔	Range1 (Low)	↔	Low Range
		Range2 (Hi)	↔	High Range



### 6.3.3 RNGE → MODE → SNGL: Configuring the TML30U Analyzer for Single Range Mode

The single range mode sets a single maximum range for the both the **A1** and **A2** analog outputs. If the single range is selected both outputs are slaved together and will represent the same reporting range span (e.g. 0-50 ppm), however their electronic signal levels may be configured for different ranges (e.g. 0-10 VDC vs. 0-.1 VDC). This Reporting range can be set to any value between 0.1 ppb and 10,000 ppb. To select **SINGLE** range mode and set the upper limit of the reporting range, press:



**NOTE**

This is the default reporting range mode for the analyzer.

### 6.3.4 RNGE → MODE → DUAL: Configuring the TML30U Analyzer for Dual Range Mode

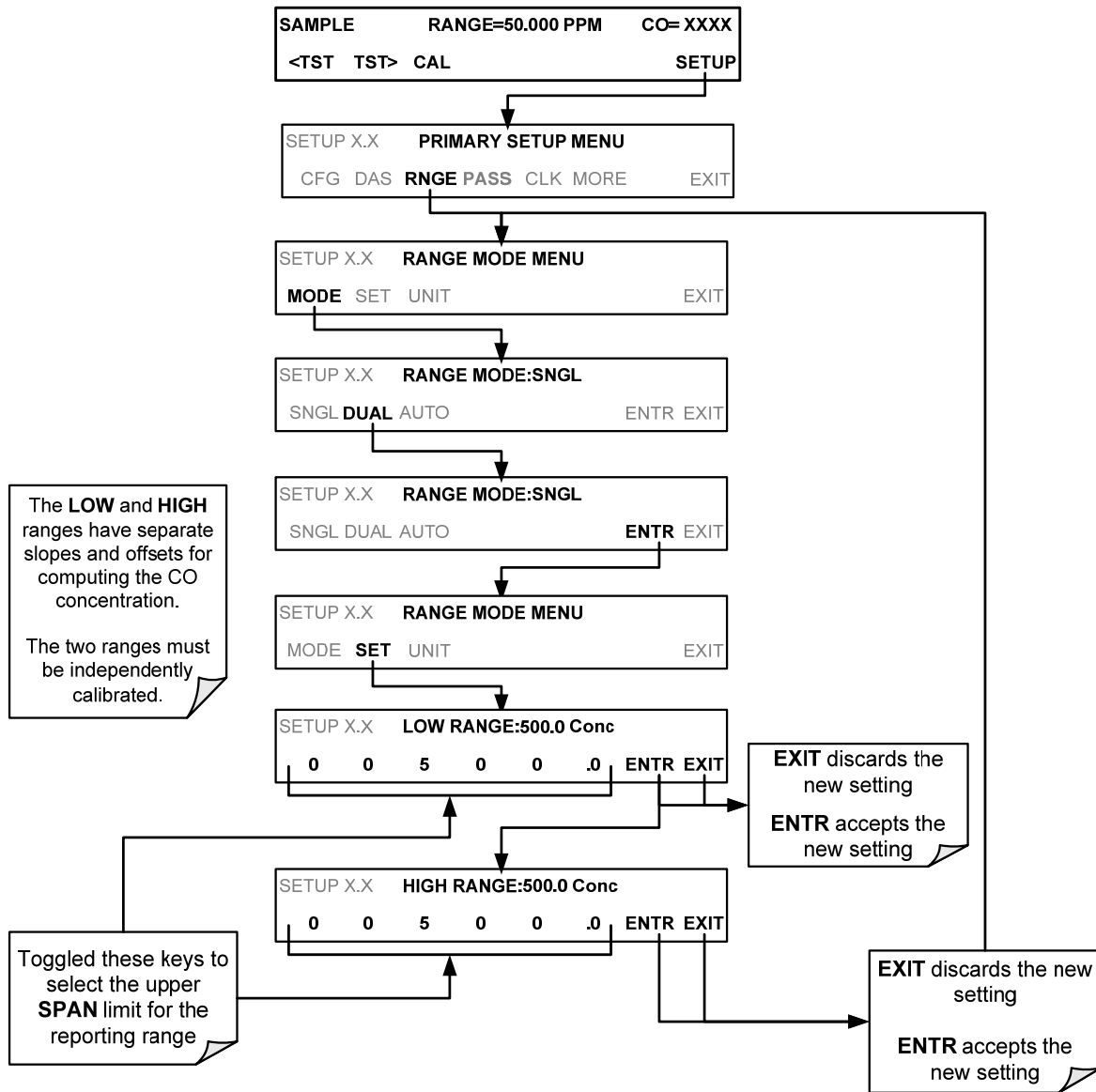
DUAL range mode allows the A1 and A2 outputs to be configured with separate reporting range spans as well as separate electronic signal levels. The analyzer software calls these two ranges **LOW** and **HI**.

The **LOW** range setting corresponds with the analog output labeled **A1** on the rear panel of the instrument and is viewable via the test function **RANGE 1**.

The **HIGH** range setting corresponds with the **A2** output and is viewable via the test function **RANGE 2**.

While the software labels these two ranges as **LOW** and **HI**, when in **DUAL** mode their upper limits need not conform to that convention. The upper span limit of the **LOW/RANGE1** can be a higher number than that of **HI/RANGE 2**

To set the ranges press following keystroke sequence:



### 6.3.5 RNGE → MODE → AUTO: Configuring the TML30U Analyzer for Auto Range Mode

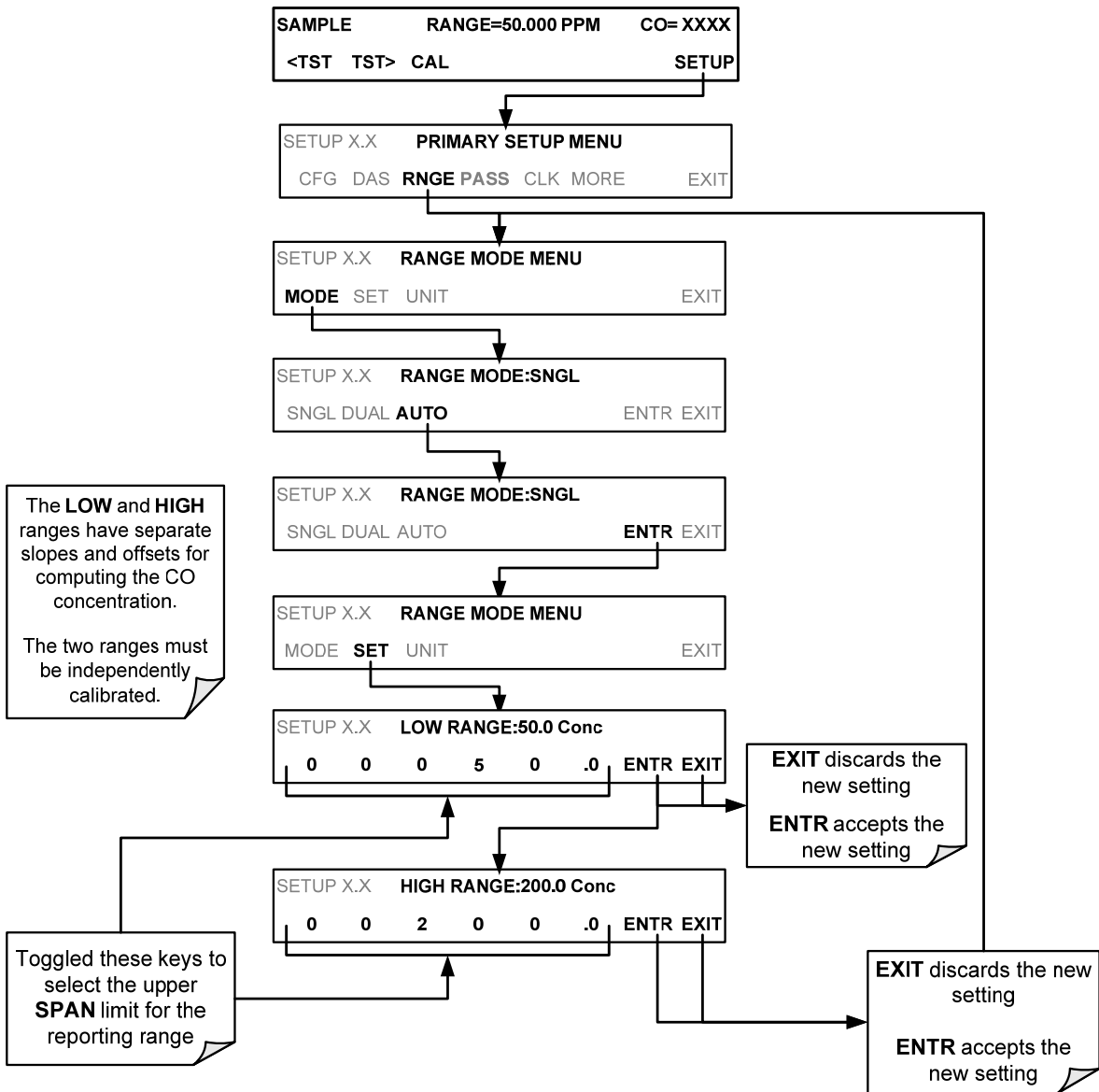
**AUTO** range mode gives the analyzer the ability to output data via a **LOW** range (displayed on the front panel as **RANGE1**) and **HIGH** range (displayed on the front panel as **RANGE2**) on a single analog output.

When the **AUTO** range mode is selected, the analyzer automatically switches back and forth between user-selected **LOW** & **HIGH** ranges depending on the level of the CO concentration.

The unit will move from **LOW** range to **HIGH** range when the CO concentration exceeds to 98% of the LOW range span limit.

The unit will return from **HIGH** range back to **LOW** range once the CO concentration falls below 75% of the **LOW** range span limit.

To set the ranges press following keystroke sequence:

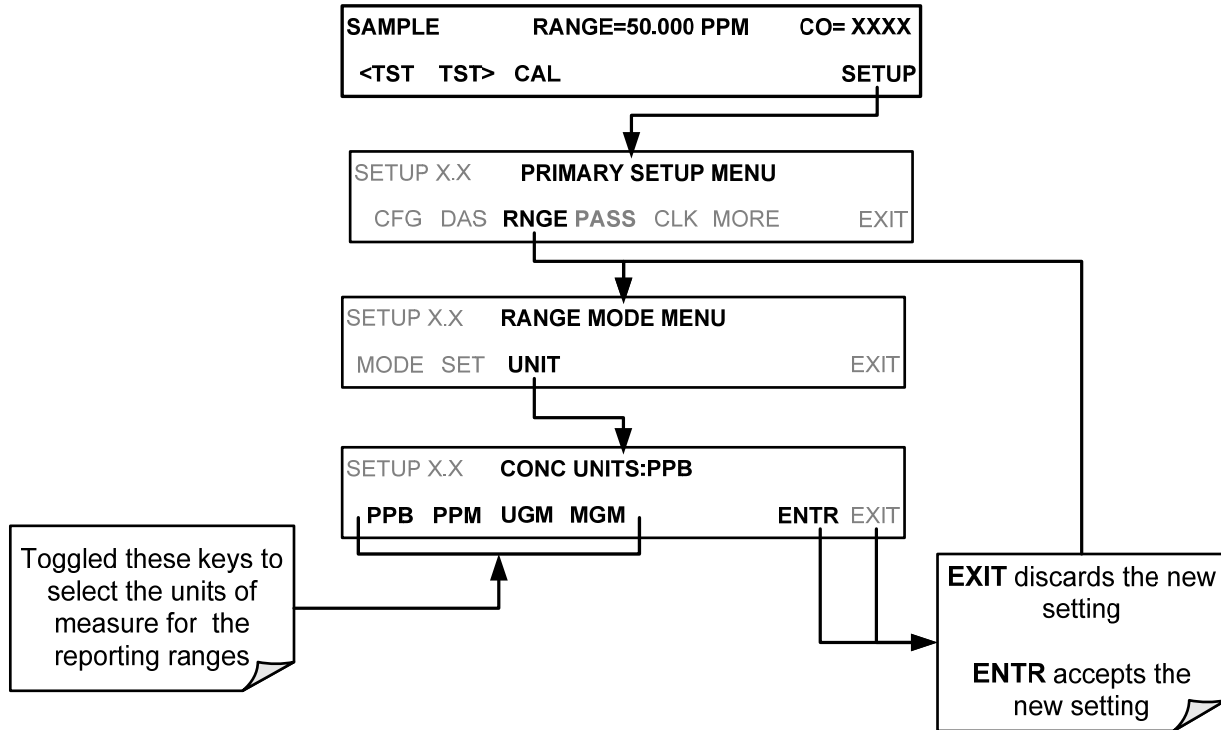


**NOTE**

Avoid accidentally setting the LOW range (RANGE 1) of the instrument with a higher span limit than the HIGH range (RANGE 2). This will cause the unit to stay in the low reporting range perpetually and defeat the function of the AUTO range mode.

**6.3.6 SETUP → RNGE → UNIT: Setting the Reporting Range Unit Type**

The TML30U can display concentrations in ppb, ppm, ug/m<sup>3</sup>, mg/m<sup>3</sup> units. Changing units affects all of the COM port values, and all of the display values for all reporting ranges. To change the units of measure press:



**NOTE**

Concentrations displayed in mg/m<sup>3</sup> and ug/m<sup>3</sup> use 0°C, 760 mmHg for Standard Temperature and Pressure (STP).

Consult your local regulations for the STP used by your agency.

**NOTE**

Once the units of measurement have been changed, the unit **MUST** be recalibrated, as the “expected span values” previously in effect will no longer be valid.

Simply entering new expected span values without running the entire calibration routine is not sufficient.

The following equations give approximate conversions between volume/volume units and weight/volume units:

$$\text{CO ppb} \times 1.25 = \text{CO ug/m}^3$$

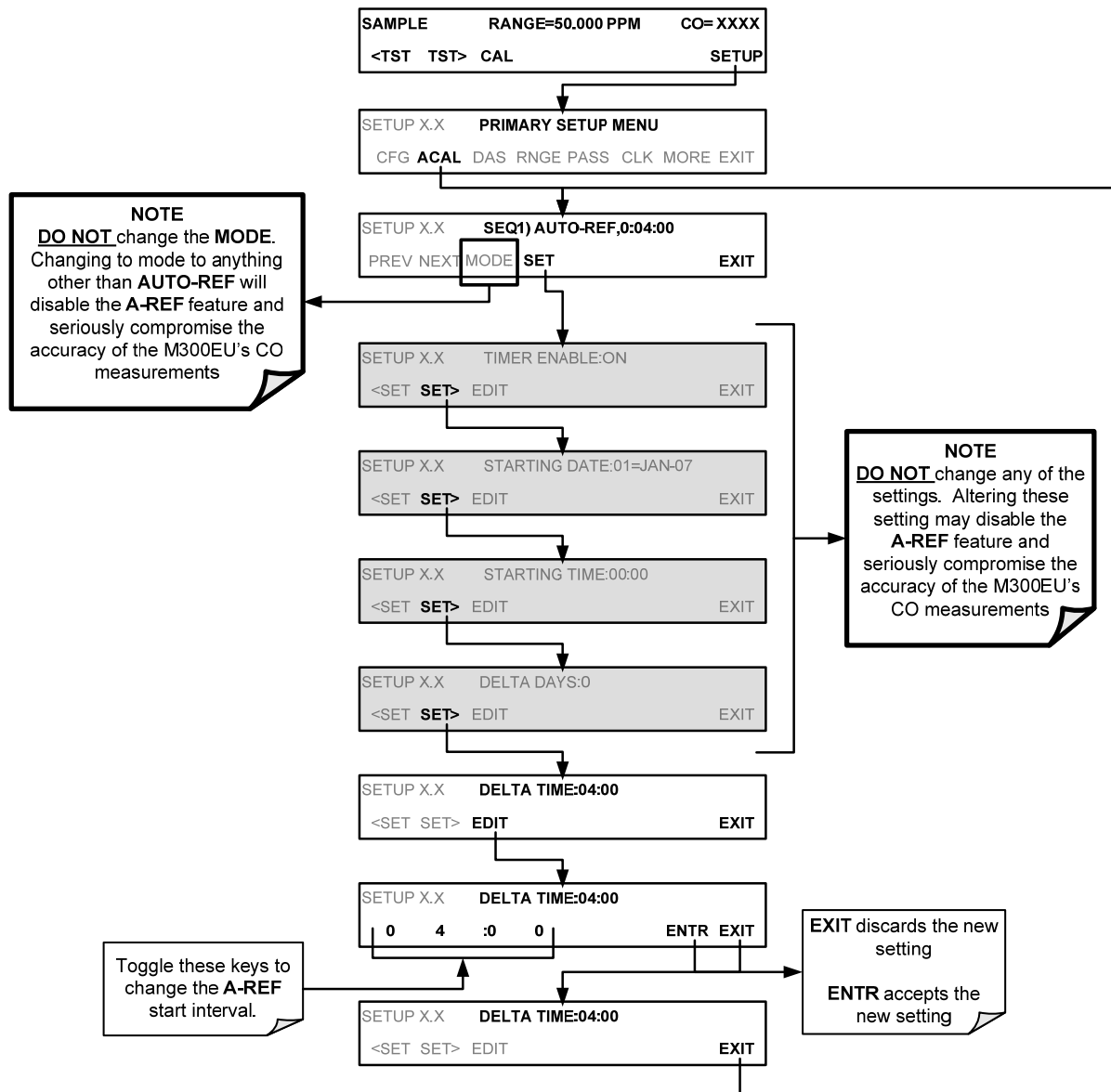
$$\text{CO ppm} \times 1.25 = \text{CO mg/m}^3$$

## 6.4 SETUP → MORE → AREF: Configuring and Performing Auto-Reference Measurements

### 6.4.1 Adjusting the A-REF Mode Cycle Time

The auto-reference measurement feature is initiated by the TML30U at regular intervals (see Section 10.1.1). It is triggered by the timer feature of the analyzers ACAL system, which uses the instrument's internal clock. All TML30U analyzers are shipped from the factory the **ACAL** system enabled (even on instruments without calibration valve options installed) and the first **ACAL** sequence already programmed and activated with the **DELTA TIME** parameter set for 4 hours (for a more detailed discussion of the ACAL system see Section 7.7 of the TML30/M Operators Manual).

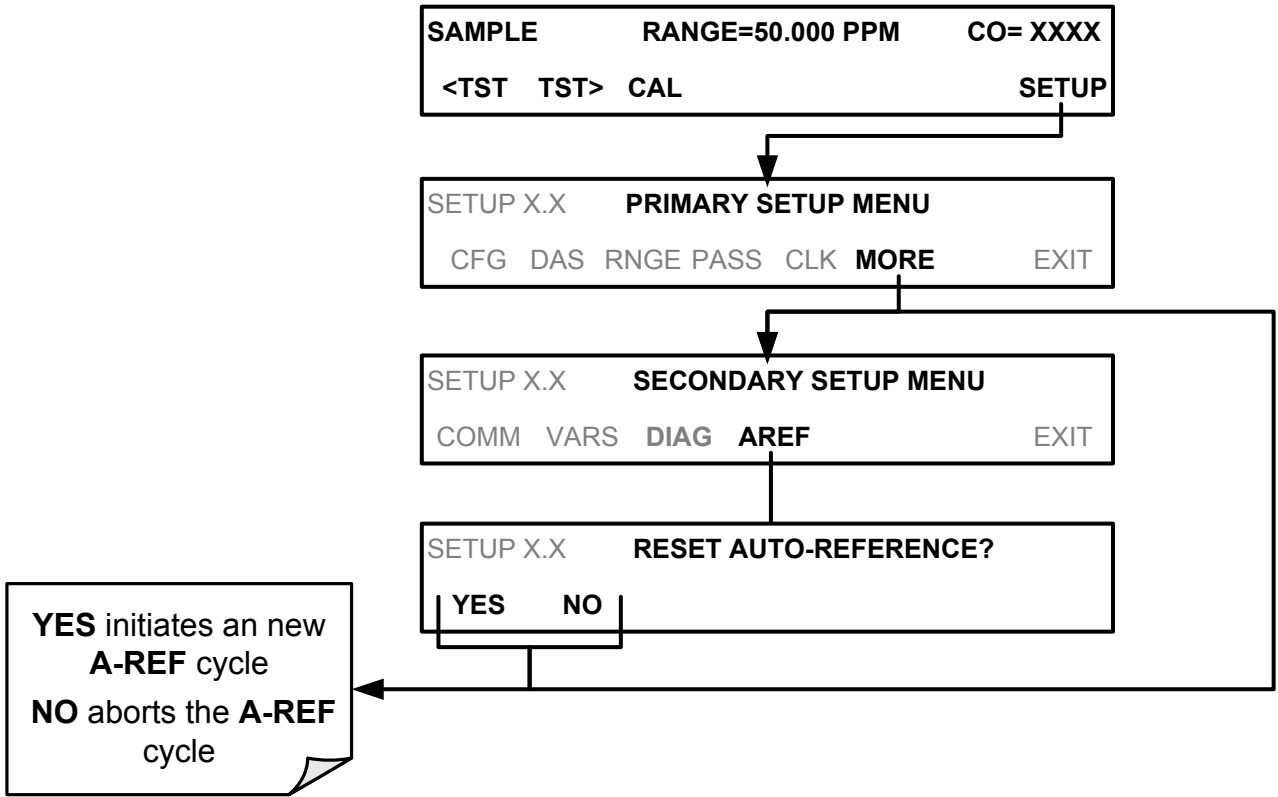
This interval time can be changed to fit the specific application in which the TML30U is being used. To change the AOREF interval, press:



### 6.4.2 Forcing an Auto-Reference Measurement

Sometimes it is advisable to perform an auto-reference measurement at other times such as just before calibrating the analyzer.

To manually start an auto-reference measurement cycle, press:



## 6.5 SETUP → MORE → VARS: Internal Variables (VARS)

The information found in Section 6.12 of the TML30/M Operators Manual (P/N 04288) is applicable to the TML30U with the following exception(s):

There is no **STABIL\_GAS** variable available under the **VARS** menu of the TML30U.

The following table supersedes Table 6-14 of the TML30/M Operators Manual (P/N 04288).

**Table 6-3: Test Functions Defined**

NO.	VARIABLE	DESCRIPTION	ALLOWED VALUES
0	<b>DAS_HOLD_OFF</b>	Changes the internal data acquisition system (iDAS) hold-off time, which is the duration when data are not stored in the iDAS because the software considers the data to be questionable. That is the case during warm-up or just after the instrument returns from one of its calibration modes to SAMPLE mode. DAS_HOLD_OFF can be disabled entirely in each iDAS channel.	Can be between 0.5 and 20 minutes Default=15 min.
1	<b>CONC_PRECISION</b>	Allows the user to set the number of significant digits to the right of the decimal point display of concentration and stability values.	AUTO, 1, 2, 3, 4 Default=AUTO
2	<b>DYN_ZERO</b>	Dynamic zero automatically adjusts offset and slope of the CO response when performing a zero point calibration during an AutoCal (Chapter 7).	<b>ON/OFF</b>
3	<b>DYN_SPAN</b>	Dynamic span automatically adjusts slope and slope of the CO response when performing a zero point calibration during an AutoCal (Chapter 7). Note that the DYN_ZERO and DYN_SPAN features are not allowed for applications requiring EPA equivalency.	<b>ON/OFF</b>
4	<b>CLOCK_ADJ</b>	Adjusts the speed of the analyzer's clock. Choose the + sign if the clock is too slow, choose the - sign if the clock is too fast.	-60 to +60 s/day

## 6.6 SETUP → MORE → DIAG: Using the Diagnostics Functions

The information found in Section 6.13 of the TML30/M Operators Manual (P/N 04288) is applicable to the TML30U with the following exception(s):

There is no **DISPLAY SEQUENCE CONFIGURATION** submenu available under the **DIAG** menu of the TML30U.

The following table supersedes Table 6-15 of the TML30/M Operators Manual (P/N 04288).

**Table 6-4: TML30U Diagnostic (DIAG) Submenus**

DIAGNOSTIC FUNCTION AND MEANING	Front Panel Mode Indicator	
<b>SIGNAL I/O:</b> Allows observation of all digital and analog signals in the instrument. Allows certain digital signals such as valves and heaters to be toggled <b>ON</b> and <b>OFF</b> .	<b>DIAG I/O</b>	See TML30/M Manual
<b>ANALOG OUTPUT:</b> When entered, the analyzer performs an analog output step test. This can be used to calibrate a chart recorder or to test the analog output accuracy.	<b>DIAG AOUT</b>	See TML30/M Manual
<b>ANALOG I/O CONFIGURATION:</b> This submenu allows the user to configure the analyzer's four analog output channels, including choosing what parameter will be output on each channel. Instructions that appear here allow adjustment and calibration the voltage signals associated with each output as well as calibration of the analog to digital converter circuitry on the motherboard.	<b>DIAG AIO</b>	6.7.1
<b>ELECTRIC TEST:</b> The analyzer is performing an electric test. This test simulates IR detector signal in a known manner so that the proper functioning of the sync/demod board can be verified.	<b>DIAG OPTIC</b>	See TML30/M Manual
<b>DARK CALIBRATION:</b> The analyzer is performing a dark calibration procedure. This procedure measures and stores the inherent dc offset of the sync/demod board electronics.	<b>DIAG ELEC</b>	See TML30/M Manual
<b>PRESSURE CALIBRATION:</b> The analyzer records the current output of the sample gas pressure sensor. This value is used by the CPU to compensate the CO concentration.	<b>DIAG PCAL</b>	See TML30/M Manual
<b>FLOW CALIBRATION:</b> This function is used to calibrate the gas flow output signals of sample gas and ozone supply. These settings are retained when exiting <b>DIAG</b> .	<b>DIAG FCAL</b>	See TML30/M Manual



## 6.7 Analog Output Configuration

### 6.7.1 Analog I/O Configuration

Because the manner in which the analog outputs are implemented differs between the TML30/M and the TML30U, there are significant differences in the manner in which the ANALOG I/O are manipulated.

#### THE ANALOG I/O CONFIGURATION SUBMENU

This section replaces Section 6.13.5.1 of the TML30/M Operators Manual (P/N 04288).

**Table 6-5: DIAG - Analog I/O Functions**

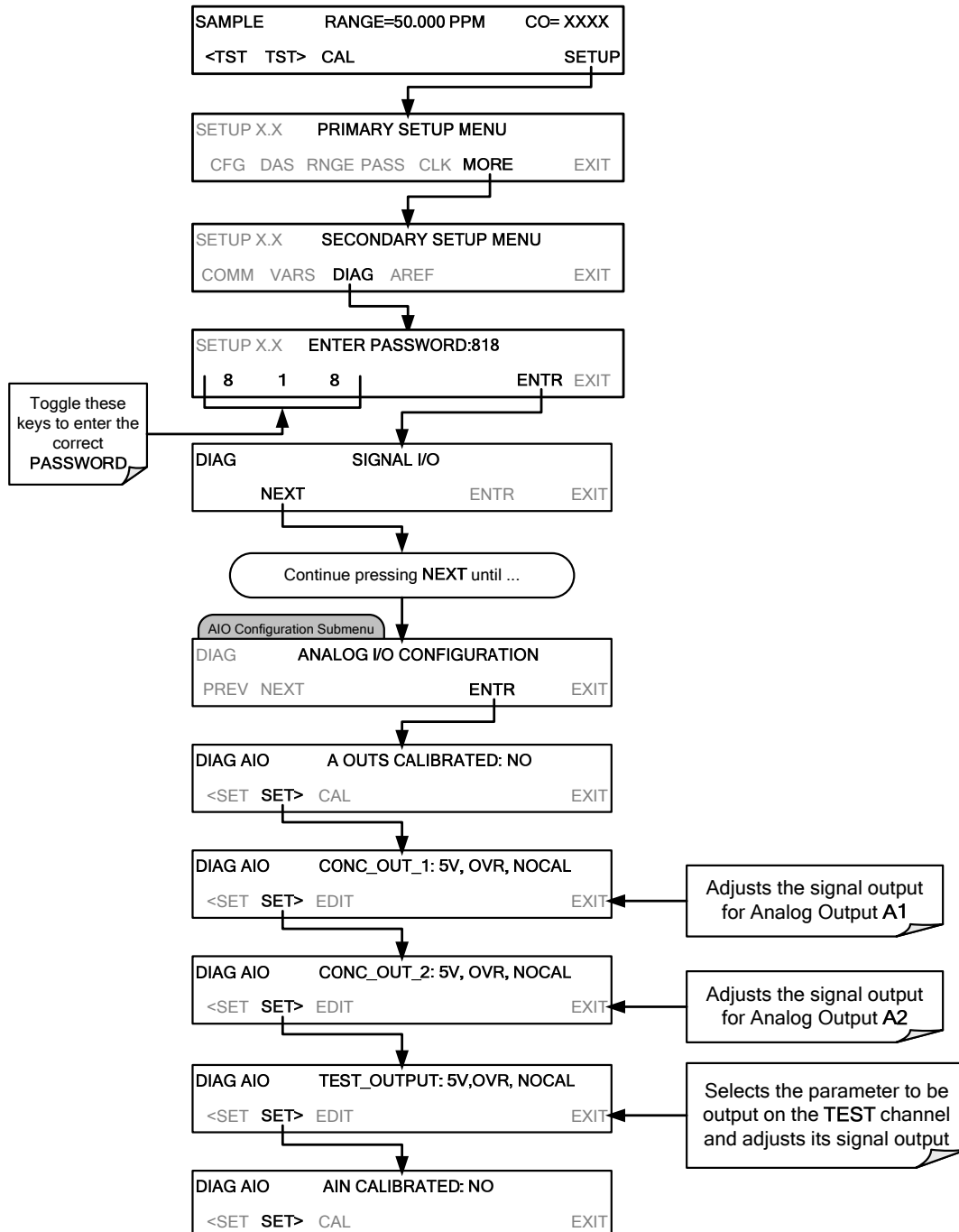
SUB MENU	FUNCTION
<b>AOUT CALIBRATED</b>	Initiates a calibration of the <b>A1</b> , <b>A2</b> and <b>A4</b> analog output channels that determines the slope and offset inherent in the circuitry of each output. These values are stored and applied to the output signals by the CPU automatically
<b>CONC_OUT_1<sup>1</sup></b>	Sets the basic electronic configuration of the <b>A1</b> output. There are four options: <ul style="list-style-type: none"> <li>• <b>RANGE</b>: Selects the signal type (voltage or current loop) and level of the output</li> <li>• <b>A1 OFS</b>: Allows them input of a DC offset to let the user manually adjust the output level</li> <li>• <b>AUTO CAL</b>: Enables / Disables the <b>AOUT CALIBRATION</b> Feature</li> <li>• <b>CALIBRATED</b>: Performs the same calibration as AOUT CALIBRATED, but on this one channel only.</li> </ul>
<b>CONC_OUT_2<sup>1</sup></b>	Sets the basic electronic configuration of the <b>A2</b> output. There are three options: <ul style="list-style-type: none"> <li>• <b>RANGE</b>: Selects the signal type (voltage or current loop) and level of the output</li> <li>• <b>A2 OFS</b>: Allows them input of a DC offset to let the user manually adjust the output level</li> <li>• <b>AUTO CAL</b>: Enables / Disables the <b>AOUT CALIBRATION</b> Feature</li> <li>• <b>CALIBRATED</b>: Performs the same calibration as AOUT CALIBRATED, but on this one channel only.</li> </ul>
<b>TEST OUTPUT<sup>1</sup></b>	Sets the basic electronic configuration of the <b>A4</b> output. There are three options: <ul style="list-style-type: none"> <li>• <b>RANGE</b>: Selects the signal type (voltage or current loop) and level of the output</li> <li>• <b>A4 OFS</b>: Allows them input of a DC offset to let the user manually adjust the output level</li> <li>• <b>AUTO CAL</b>: Enables / Disables the <b>AOUT CALIBRATION</b> Feature</li> <li>• <b>CALIBRATED</b>: Performs the same calibration as AOUT CALIBRATED, but on this one channel only.</li> </ul>
<b>AIN CALIBRATED</b>	Initiates a calibration of the A-to-D Converter circuit located on the Mother Board.
<sup>1</sup> Changes to <b>RANGE</b> or <b>REC_OFS</b> require recalibration of this output.	

To configure the analyzer's three analog outputs, set the electronic signal type of each channel and calibrate the outputs. This consists of:

Selecting an output type (voltage or current, if an optional current output driver has been installed) and the signal level that matches the input requirements of the recording device attached to the channel.

1. Determine if the over-range feature is needed and turn it on or off accordingly.
2. If a Voltage scale is in use, a bipolar recorder offset may be added to the signal if required.
3. Choose a Test Channel parameter to be output on the channel.
4. Calibrating the output channel. This can be done automatically or manually for each channel.

To access the analog I/O configuration sub menu, press:



**ANALOG OUTPUT SIGNAL TYPE AND RANGE SELECTION**

The information found in Section 6.13.5.2 of the TML30/M Operators Manual (P/N 04288) is applicable to the TML30U with the following exception(s):

There are minor differences in the displays ( e.g. **CONC\_OUT\_2** instead of **DATA\_OUT\_2**) User Notes:

**TURNING THE ANALOG OUTPUT OVER-RANGE FEATURE ON/OFF**

The information found in Section 6.13.5.3 of the TML30/M Operators Manual (P/N 04288) is applicable to the TML30U with the following exception(s):

There are minor differences in the displays ( e.g. **CONC\_OUT\_2** instead of **DATA\_OUT\_2**) User Notes:

**ADDING A RECORDER OFFSET TO AN ANALOG OUTPUT**

The information found in Section 6.13.5.4 of the TML30/M Operators Manual (P/N 04288) is applicable to the TML30U with the following exception(s):

There are minor differences in the displays ( e.g. **CONC\_OUT\_2** instead of **DATA\_OUT\_2**) User Notes:

**NOT APPLICABLE SECTIONS**

The following sections of the TML30/M Operators Manual (P/N 04288) relating to configuration of the analog outputs **DO NOT** apply to the TML30U.

- 6.13.5.6 Reporting Gas Concentrations via the TML30/M Analog Output Channels
- 6.13.5.7 Setting the Reporting Range Scale for an Analog Output
- 6.13.5.8 Setting Data Update Rate for an Analog Output
- 6.13.5.9 Turning an Analog Output On or Off

## 6.7.2 Calibration of the Analog Outputs

This section replaces Section 6.13.6 of the TML30/M Operators Manual (P/N 04288).

**ANALOG OUTPUT** calibration needs to be carried out on first startup of the analyzer (performed in the factory as part of the configuration process) or whenever re-calibration is required. The analog outputs can be calibrated automatically or adjusted manually.

During automatic calibration, the analyzer tells the output circuitry to generate a zero mV signal and high-scale point signal (usually about 90% of chosen analog signal scale) then measures actual signal of the output. Any error at zero or high-scale is corrected with a slope and offset.

Automatic calibration can be performed via the AOUTS CALIBRATION command, or by using the CAL button located inside each of the output submenus (e.g. **CONC\_OUT\_1**, **CONC\_OUT\_2** or **TEST\_OUTPUT**). By default, the analyzer is configured so that calibration of analog outputs can be initiated as a group with the **AOUT CALIBRATION** command or individually.

### ENABLING OR DISABLING THE AUTO-CAL FOR AN INDIVIDUAL ANALOG OUTPUT

The information found in Section 6.13.5.9 of the TML30/M Operators Manual (P/N 04288) is applicable to the TML30U with the following exception(s):

There are minor differences in the displays ( e.g. **CONC\_OUT\_2** instead of **DATA\_OUT\_2**)

### AUTOMATIC ANALOG OUTPUT CALIBRATION

The information found in Section 6.13.6.2 of the TML30/M Operators Manual (P/N 04288) is applicable to the TML30U.

### MANUAL CALIBRATION OF ANALOG OUTPUT CONFIGURED FOR VOLTAGE RANGES

The information found in Section 6.13.6.3 of the TML30/M Operators Manual (P/N 04288) is applicable to the TML30U with the following exception(s):

There are minor differences in the displays ( e.g. **CONC\_OUT\_2** instead of **DATA\_OUT\_2**) User Notes:

### MANUAL CALIBRATION OF ANALOG OUTPUTS CONFIGURED FOR CURRENT LOOP RANGES

The information found in Section 6.13.6.4 of the TML30/M Operators Manual (P/N 04288) is applicable to the TML30U with the following exception(s):

There are minor differences in the displays ( e.g. **CONC\_OUT\_2** instead of **DATA\_OUT\_2**)

The current output option can only be installed on outputs **A1** and **A2** of the TML30U

### CALIBRATING THE INTERNAL A TO D CONVERTER (AIN CALIBRATION)

The information found in Section 6.13.6.5 of the TML30/M Operators Manual (P/N 04288) is applicable to the TML30U.

### 6.7.3 Selecting a Test Channel Function for Output A4

This section replaces Section 6.13.5.5 of the TML30/M Operators Manual (P/N 04288)

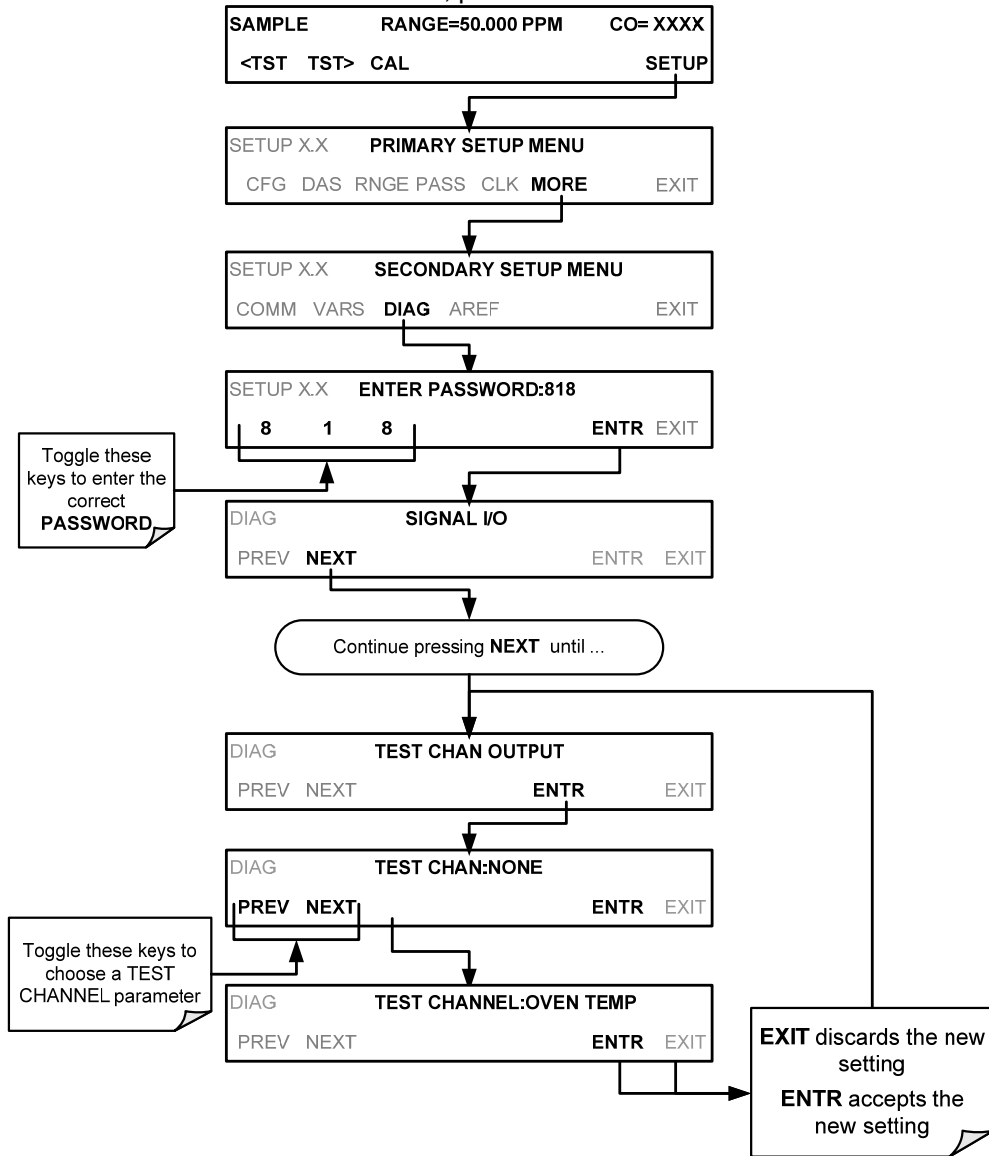
The Test Functions available to be reported on analog output **A4** are:

**Table 6-6: Test Channels Functions Available on the TML30U's Analog Output**

TEST CHANNEL	DESCRIPTION	ZERO	FULL SCALE
NONE	TEST CHANNEL IS TURNED OFF		
CO MEAS	The raw output of the optical bench's IR detector during the measure phase of the m/r cycle	0 mV	5000 mV*
CO REF	The raw output of the optical bench's IR detector during the reference phase of the m/r cycle	0 mV	5000 mV*
SAMPLE PRESSURE	The pressure of gas in the optical bench's sample chamber	0" Hg	40" Hg-In-A
SAMPLE FLOW	The gas flow rate through the optical bench's sample chamber	0 cm <sup>3</sup> /min	6000 cm <sup>3</sup> /min
SAMPLE TEMP	The temperature of gas in the optical bench's sample chamber	0 C°	70 C°
BENCH TEMP	The temperature of optical bench's itself	0 C°	70 C°
WHEEL TEMP	The temperature of GFC wheel	0 C°	70 C°
OVEN TEMP	The temperature of the circulating air inside the convection oven section of the TML30U's interior.	0 C°	70 C°
PHT DRIVE	The drive voltage being supplied to the thermoelectric coolers of the IR photo-detector by the sync/demod Board.	0 mV	5000 mV
TEMP4	SPARE		

Once a function is selected, the instrument not only begins to output a signal on the analog output, but also adds **TEST** to the list of Test Functions viewable via the Front Panel Display.

To activate the TEST Channel and select a function, press:



### 6.7.4 Hessen Protocol

The information found in Section 6.15.3 of the TML30/M Operators Manual (P/N 04288) is applicable to the TML30U with the following exception(s):

There is only one default gas type programmed into the TML30U. The following table replaces Table 6-32 of the TML30/M Operators Manual (P/N 04288).

**Table 6-7: TML30U Hessen GAS ID List**

GAS DEFAULT	HESSEN GAS ID
CO	130

The list of Hessen status flags for the TML30U is different from that of the TML30/M. The following table replaces Table 6-33 of the TML30/M Operators Manual (P/N 04288).

**Table 6-8: Default Hessen Status Bit Assignments**

STATUS FLAG NAME	DEFAULT BIT ASSIGNMENT
<b>WARNING FLAGS</b>	
SAMPLE FLOW WARNING	0001
BENCH TEMP WARNING	0001
SOURCE WARNING	0001
BOX TEMP WARNING	0001
WHEEL TEMP WARNING	0001
SAMPLE TEMP WARNING	0001
SAMPLE PRESSURE WARNING	0001
INVALID CONC (The Instrument's Front Panel Display Will Show The Concentration As "XXXX")	0000
<b>OPERATIONAL FLAGS</b>	
In Manual Calibration Mode	0000
In Zero Calibration Mode	0000
In Span Calibration Mode	0000
<b>UNITS OF MEASURE FLAGS</b>	
UGM	0000
MGM	0000
PPB	0000
PPM	4000
<b>SPARE/UNUSED BITS</b>	<b>100, 1000, 8000</b>
<b>UNASSIGNED FLAGS (0000)</b>	
AZERO WARN	RELAY BOARD WARNING
OVEN TEMP WARNING	FRONT PANEL WARNING
MP CAL	ANALOG CAL WARNING
PHOTO TEMP WARNING	CANNOT DYN ZERO
SYSTEM RESET	CANNOT DYN SPAN
REAR BOARD NOT DETECTED	INVALID CONC

## USER NOTES:



## 7. CALIBRATION PROCEDURES

Calibration of the TML30U should be performed according to the procedures described in Chapters 7 & 8 of the TML30/M Manual - P/N 04288 with the following notes and exceptions:

Delivering span and zero gases for the higher resolution the TML30U can be difficult. Attention must be paid to the quality of the gasses, the level of contaminants in the gases as well as the history and conditioning of the gas delivery components.

The analyzer must be continually operating with an adequate flow of sample gas, for 2 hours prior to performing a calibration (12 hours is recommended for the initial calibration).

DO NOT calibrate the analyzer if it has been turned off or if no sample gas has been flowing through it within the last 2 hours.

After this stabilization period is complete and just prior to performing the initial calibration, force the instrument to perform an auto-reference measurement by following the instructions in Section 6.4.2 .

### REQUIRED EQUIPMENT, SUPPLIES AND EXPENDABLES

Gas lines to and from the analyzer should be PTFE or FEP Teflon, glass, stainless steel or brass only.

Zero-air source (defined in Section 7.1.2 of the TML30/M Operators Manual).

Zero air must be free of CO.

If a zero air generator, such as the Teledyne Instruments M701, is used it **MUST** be equipped with a hydrocarbon (HC) & CO scrubber option. For the Teledyne Instruments M701, this is Option 2B.

Span gas source (defined in Section 7.1.3 of the TML30/M Operators Manual).

A recording device such as a strip-chart recorder and/or data logger (optional). Data recording device should be capable of bi-polar operation so that negative readings can be recorded.

For electronic documentation, the internal data acquisition system can be used.

#### NOTE

**If any problems occur while performing the following calibration procedures, refer to Chapter 11 of this manual for troubleshooting tips.**

### MANUAL CALIBRATION

The information found in Section 7.2 of the TML30/M Operators Manual (P/N 04288) is applicable to the TML30U with the following exception(s).

STEP3 – Zero/Span Calibration

Set the display to show the **STABILITY** test function (same as the **CO STB** function mentioned in the TML30/M operator's manual).

There is no **GAS TO CAL** step because the TML30U cannot be modified to include the O<sub>2</sub> and CO<sub>2</sub> sensor packages.

### MANUAL CALIBRATION CHECKS

The information found in Section 7.3 of the TML30/M Operators Manual (P/N 04288) is applicable to the TML30U with the following exception(s).

Set the display to show the **STABILITY** test function.

### MANUAL CALIBRATION WITH ZERO/SPAN VALVES

The information found in Section 7.4 of the TML30/M Operators Manual (P/N 04288) is applicable to the TML30U with the following exception(s).

Set the display to show the **STABILITY** test function.

There is no **GAS TO CAL** step.

### MANUAL CALIBRATION CHECKS WITH ZERO/SPAN VALVES

The information found in Section 7.5 of the TML30/M Operators Manual (P/N 04288) is applicable to the TML30U with the following exception(s).

Set the display to show the **STABILITY** test function.

There is no **GAS TO CAL** step.

### CALIBRATION WITH REMOTE CONTACT CLOSURES

The information found in Section 7.6 of the TML30/M Operators Manual (P/N 04288) is applicable to the TML30U with the following exception(s).

#### NOTE

**It is required that the analyzer be forced to perform an auto-reference measurement just prior to calibration, however this cannot be forced via the analyzer's digital control inputs.**

**The A-REF measurement can only be initiated using either the instrument's front pane interface or via Teledyne Instruments' SENSOR-E.COM emulator software.**

### AUTOMATIC ZERO/SPAN CAL/CHECK (AUTOCAL)

The information found in Section 7.7 of the TML30/M Operators Manual (P/N 04288) is applicable to the TML30U with the following exception(s).

The following table replaces Table 7-2 of the TML30/M Operators Manual (P/N 04288).

**Table 7-1: AUTOCAL Modes**

MODE NAME	ACTION
<b>DISABLED</b>	Disables the Sequence
<b>ZERO</b>	Causes the Sequence to perform a zero calibration/check
<b>ZERO-SPAN</b>	Causes the Sequence to perform a zero and span concentration calibration/check
<b>SPAN</b>	Causes the Sequence to perform a span concentration calibration/check
<b>AUTO-REF</b>	Causes the analyzer to perform an auto-reference measurement.

### CO CALIBRATION QUALITY

The information found in Section 7.8 of the TML30/M Operators Manual (P/N 04288) is applicable to the TML30U.

### CALIBRATION OF OPTIONAL SENSORS

The following Sections do not apply to the TML30U:

- 7.9.1 Section O<sub>2</sub> Sensor Calibration Procedure
- 7.9.2 CO<sub>2</sub> Sensor Calibration Procedure

## **8. EPA Protocol Calibration**

The information found in Chapter 8 of the TML30/M Operators Manual (P/N 04288) is applicable to the TML30U.

### **USER NOTES:**

USER NOTES:

---

## 9. INSTRUMENT MAINTENANCE

The information found in Chapter 9 of the TML30/M Operators Manual (P/N 04288) is applicable to the TML30U with the following exception(s):

The oven temperature should be tracked along with the other parameters listed on Table 9-2 of the TML30/M Operators Manual (see Table 9-1 below).

### 9.1 Performing an Auto-Reference Measurement After Maintenance

It is very important to manually initiate an **A-REF** measurement whenever any maintenance is performed on the TML30U, particularly if that maintenance involves:

Opening the top cover or the front panel while the instrument is making **A-REF** measurements.

Opening the top cover or the front panel at any time when the next ACAL scheduled **A-REF** measurement cycle is < 2 hours away.

Turning off the analyzer at any time when the next ACAL scheduled **A-REF** measurement cycle is < 2 hours away.

This should be done no sooner than 2 hours after the TML30U has been operating with the front panel / top cover properly closed and sealed. Once this manual A-REF measurement is performed; the analyzer will discard any erroneous A-REF ratios that may have been recorded before the instrument's oven temperature had a chance to re-stabilize.

---

## USER NOTES:

**USER NOTES:**

**Table 9-1: TML30U Test Function Record**

FUNCTION	OPERATING MODE*	DATE RECORDED											
STABILITY	ZERO CAL												
CO MEAS	ZERO CAL												
MR RATIO	ZERO CAL												
	SPAN CAL												
PRES	SAMPLE												
PHT DRIVE	SAMPLE AFTER WARM-UP												
SLOPE	SPAN CAL												
OFFSET	ZERO CAL												
OVEN TEMP	SAMPLE												

**USER NOTES:**



## 10. THEORY OF OPERATION

### 10.1 Measurement Method

The information found in Section 10.1 of the TML30/M Operators Manual (P/N 04288) is applicable to the TML30U with the following addition. It is recommended that you read that section before continuing.

#### 10.1.1 Auto-Reference Ratio

The higher resolution of the TML30U makes it more susceptible than the TML30/M to the effects of a variety of environmental conditions such as:

Drift related to the age of the optical bench components ( e.g. the IR lamp, the IR detector, etc.)

Variations in the temperature of the sample gas (affecting its density).

Interferents, specifically CO<sub>2</sub> and H<sub>2</sub>O.

The TML30U accounts for these issues by adding an additional component to the CO concentration calculation call the Auto-reference ratio.

This ratio is arrived at in the same manner as the measure/reference ratio (described in Section 10.1.3.2 of the TML30/M Operators Manual) with the difference that that during the measurements that are to calculate the **A-REF** ratio, the gas stream is switched to pass through a scrubber that completely removes all CO from an external air source. Therefore the measured difference between **CO MEAS** and **CO REF** represents the exact state of the sample gas and the optical bench's sensors without CO present.

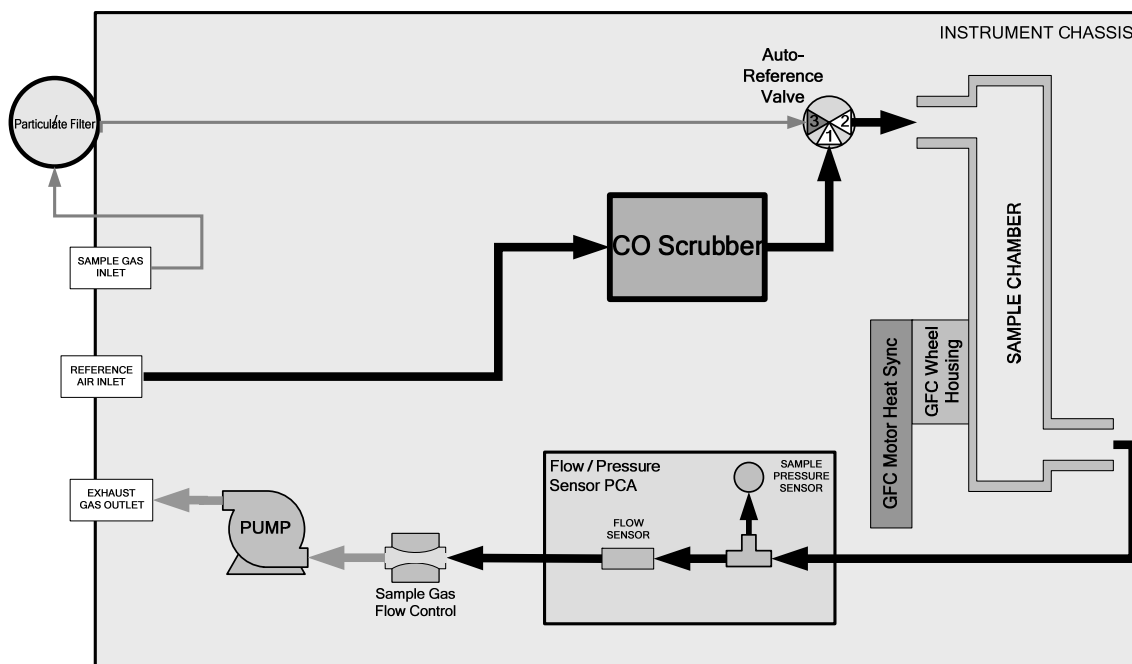


Figure 10-1: TML30U Gas Flow During Auto-Reference Measurements

The analyzer averages the last five **A-REF** ratios and multiplies this average by a constant and the result is included in the final CO calculation as a positive or negative offset.

Whenever an **A-REF** is manually initiated either by using the **AREF** submenu via the front panel (see Section 6.4.2) or by activating pin-7 of the instrument's digital control input connector, all previously stored A-REF ratios are erased and the new ratio inserted. This allows the user to correct for a bad A-REF reading (e.g. the oven temperature during the A-REF cycle was too high/low)

The auto-reference measurement takes approximately 15 minutes. To ensure that the sample chamber of the optical bench is properly purged when switching between the sample and auto-reference measurements and vice-versa, each auto-reference cycle includes a 3 minute dwell period before and after the actual measurements are made. This cycle is restarted every 4 hours by an ACAL sequence, programmed at the factory (see Section 6.4).

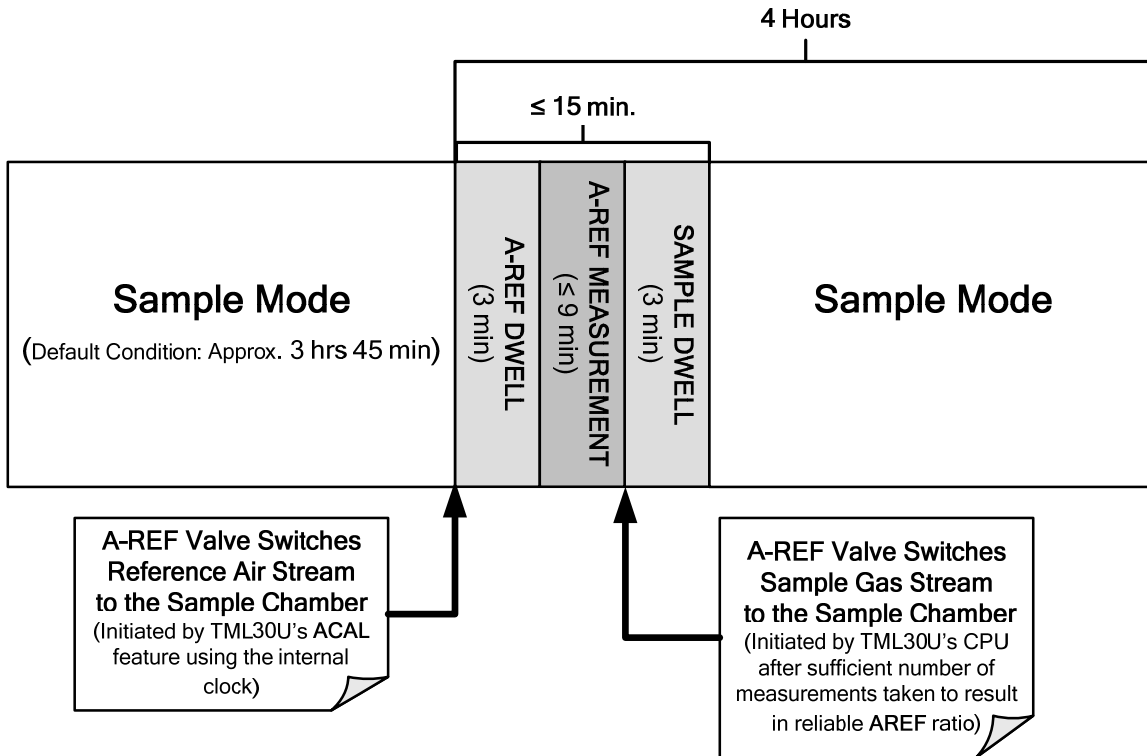


Figure 10-2: Auto-Reference Measurement Cycle

## 10.2 Pneumatic Operation

With the exceptions to the difference discussed in other portions of this addendum regarding the **A-REF** CO scrubber (See Sections 3.2, 5.1.1, 5.1.2, 5.1.3 & 10.1.1), the pneumatic operation is the same as that described in Section 10.3 of the TML30/M Operators Manual (P/N 04288).

### 10.2.1 The A-REF Carbon Monoxide Scrubber

A special CO scrubber is used to remove all CO from the reference air source when the instrument is performing an auto-reference measurement. The scrubber contains a substance that catalyzes a chemical reaction and converts any CO in the gas stream to CO<sub>2</sub>.

**NOTE**

To operate properly, the gas flowing through the scrubber must contain at least 5% O<sub>2</sub>.

### 10.2.2 .The A-REF Valve Assembly

The auto-reference valve assembly is located next to the optical bench, at the rear of the analyzer between the optical bench and the outer wall of the instrument (see Figure 3-1). The following table describes the state of each valve during the analyzer's various operational modes (see Figure 10-1).

**Table 10-1: Auto-Reference Valve Operating States**

<b>Mode</b>	<b>Valve State</b>	<b>VALVE PORT CONNECTIONS</b>
<b>SAMPLE</b> (Normal State)	Gas stream from SAMPLE inlet	<b>3 → 2</b>
<b>A-REF DWELL</b>	Air stream from CO scrubber	<b>1 → 2</b>
<b>A-REF MEASUREMENT</b>	Air stream from CO scrubber	<b>1 → 2</b>
<b>SAMPLE DWELL</b>	Gas stream from SAMPLE inlet	<b>3 → 2</b>

## 10.3 Electronic Operation

### 10.3.1 Overview

The information found in Section 10.4.1 of the TML30/M Operators Manual (P/N 04288) is applicable to the TML30U with the following exception(s):

This figure replaces Figure 10-9of the TML30/M Operators Manual.

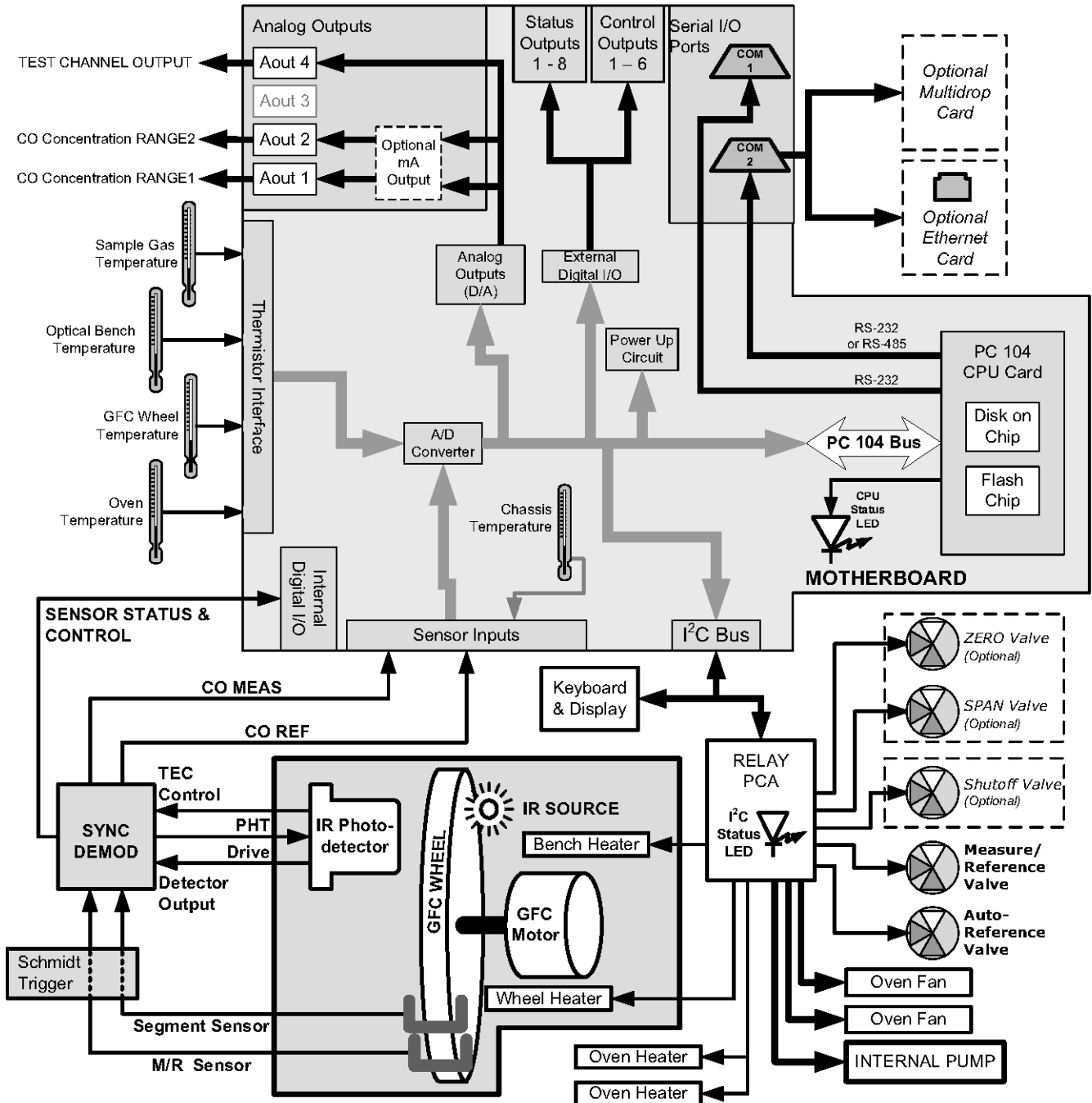


Figure 10-3: TML30U Electronic Overview Block Diagram

### 10.3.2 The Relay PCA

The information found in Section 10.4.5 of the TML30/M Operators Manual (P/N 04288) is applicable to the TML30U with the following exception(s):

#### 10.3.2.1 Temperature Control of the Convection Oven

The information found in Section 10.4.5.1 of the TML30/M Operators Manual (P/N 04288) is applicable to the TML30U with the following exception(s):

There are two heaters attached to either side of the optical bench (see Figure 3-1) that radiate heat into the insulated, oven area of the analyzer. Each heater has a fan attached to it that circulates the heated air throughout the oven airspace.

The CPU senses the temperature level from different places inside the oven area and determines the overall temperature of the oven. Eventually, all of the components within the oven area will stabilize at the same temperature. This usually takes about 2 hours after the instrument is turned **ON**.

A separate fan blows directly on the A-to-D conversion circuitry of the motherboard to more keep it at the same temperature as the oven airspace in order to eliminate any temperature-coefficient related offset.

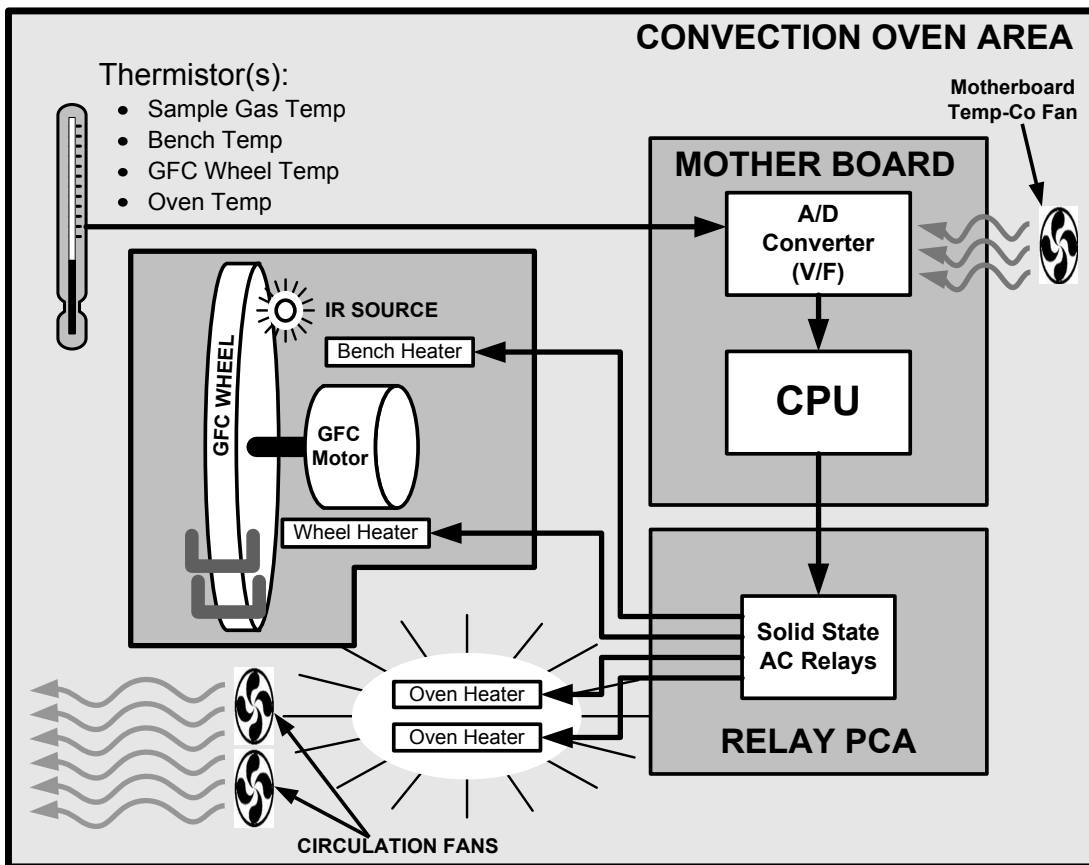


Figure 10-4: TML30U Heating Control Block Diagram

### 10.3.2.2 Oven Heaters AC Power Configuration

The two main heaters for the convection oven area of the TML30U are AC heaters. A jumper, located in line on the power connection between the relay PCA and the heaters, set the heaters in one of two configurations:

In parallel for 115 VAC operation, or;

In series for 230 VAC operation.

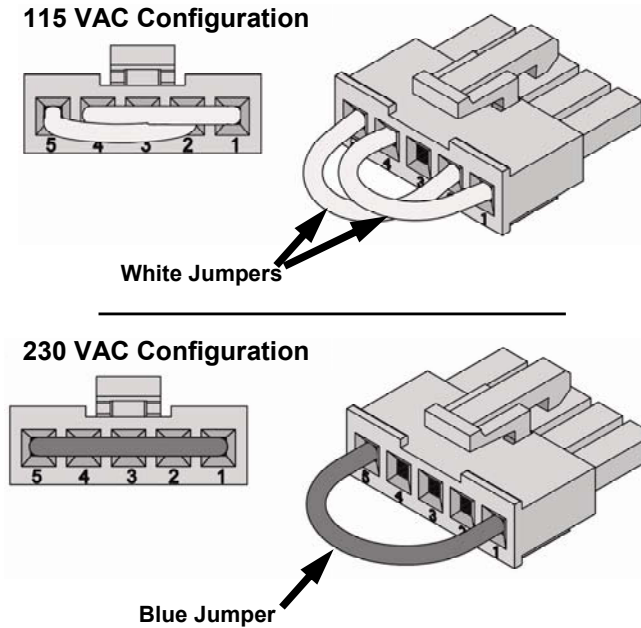


Figure 10-5: TML30U Oven Heater Configuration Jumpers

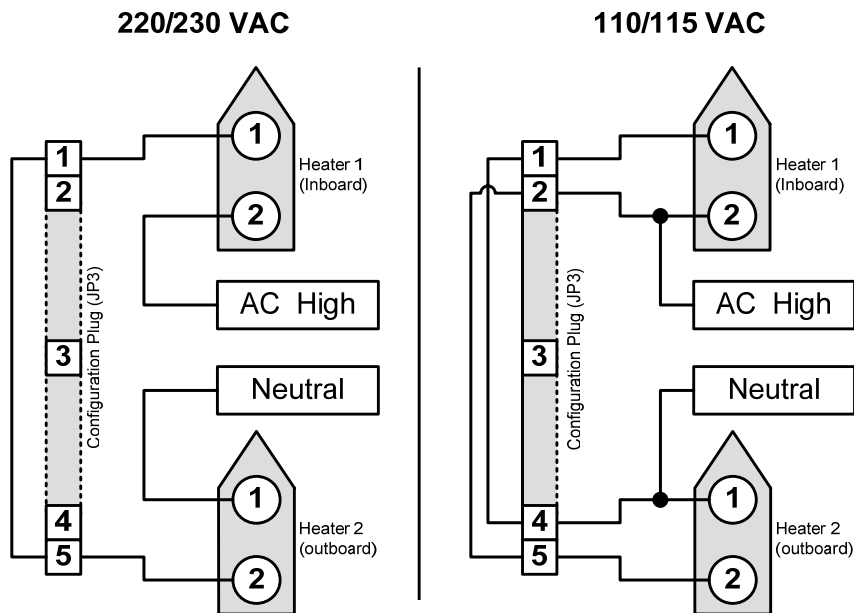


Figure 10-6: TML30U Oven Heater Configuration Circuit

### 10.3.2.3 Status LED's

This information replaces that found in Sections 10.4.5.5 of the TML30/M Operators Manual.

Eight LED's are located on the analyzer's relay board to show the current status on the various control functions performed by the relay board (see Figure 10-14 of the TML30/M Operators Manual).

They are:

**Table 10-2: Relay Board Status LED's**

LED	COLOR	FUNCTION	STATUS WHEN LIT	STATUS WHEN DARK
D1	RED	Watchdog Circuit	Cycles On/Off Every 3 Seconds under direct control of the analyzer's CPU.	
D2	YELLOW	Wheel Heater	HEATING	NOT HEATING
D3	YELLOW	Bench Heater	HEATING	NOT HEATING
D4	YELLOW	Oven Heaters	HEATING	NOT HEATING
D5	GREEN	Sample/Cal Gas Valve Option	Valve Open to CAL GAS FLOW	Valve Open to SAMPLE GAS FLOW
D6	GREEN	Zero/Span Gas Valve Option	Valve Open to SPAN GAS FLOW	Valve Open to ZERO GAS FLOW
D7	GREEN	Shutoff Valve Option	Valve Open to CAL GAS FLOW	Valve CLOSED to CAL GAS FLOW
D8	GREEN	IR SOURCE	Source ON	Source OFF

### 10.3.3 Motherboard

The information found in Section 10.4.6 of the TML30/M Operators Manual (P/N 04288) is applicable to the TML30U with the following additions:

#### 10.3.3.1 A to D Conversion

Because the TML30U has much higher resolution and sensitivity than the TML30/M, there is a possibility that temperature-coefficient related drift could occur in the A to D conversion circuitry, especially if there is a significant difference in temperature between the converter and the surrounding airspace. To prevent this, a fan directs heated air onto the A to D converter area of the motherboard to ensure that it is as close as possible to the current temperature of the oven area.

#### 10.3.3.2 Sensor Inputs

##### OVEN TEMPERATURE SENSOR

A thermistor is located in the center of the insulated oven area (see Figure 3-1). It measures the analyzer's inside temperature. This information is stored by the CPU and can be viewed by the user for troubleshooting purposes via the front panel display by selecting the test function **OVEN TEMP** or reported via the instruments **TEST CHANNEL** analog output (A4) by setting the output function also named **OVEN TEMP**.

### 10.3.4 Power Distribution

The information found in Section 10.4.5 of the TML30/M Operators Manual (P/N 04288) is applicable to the TML30U with the following exception(s):

This Figure replaces Figure 10-15 of the TML30/M Operators Manual (P/N 04288).

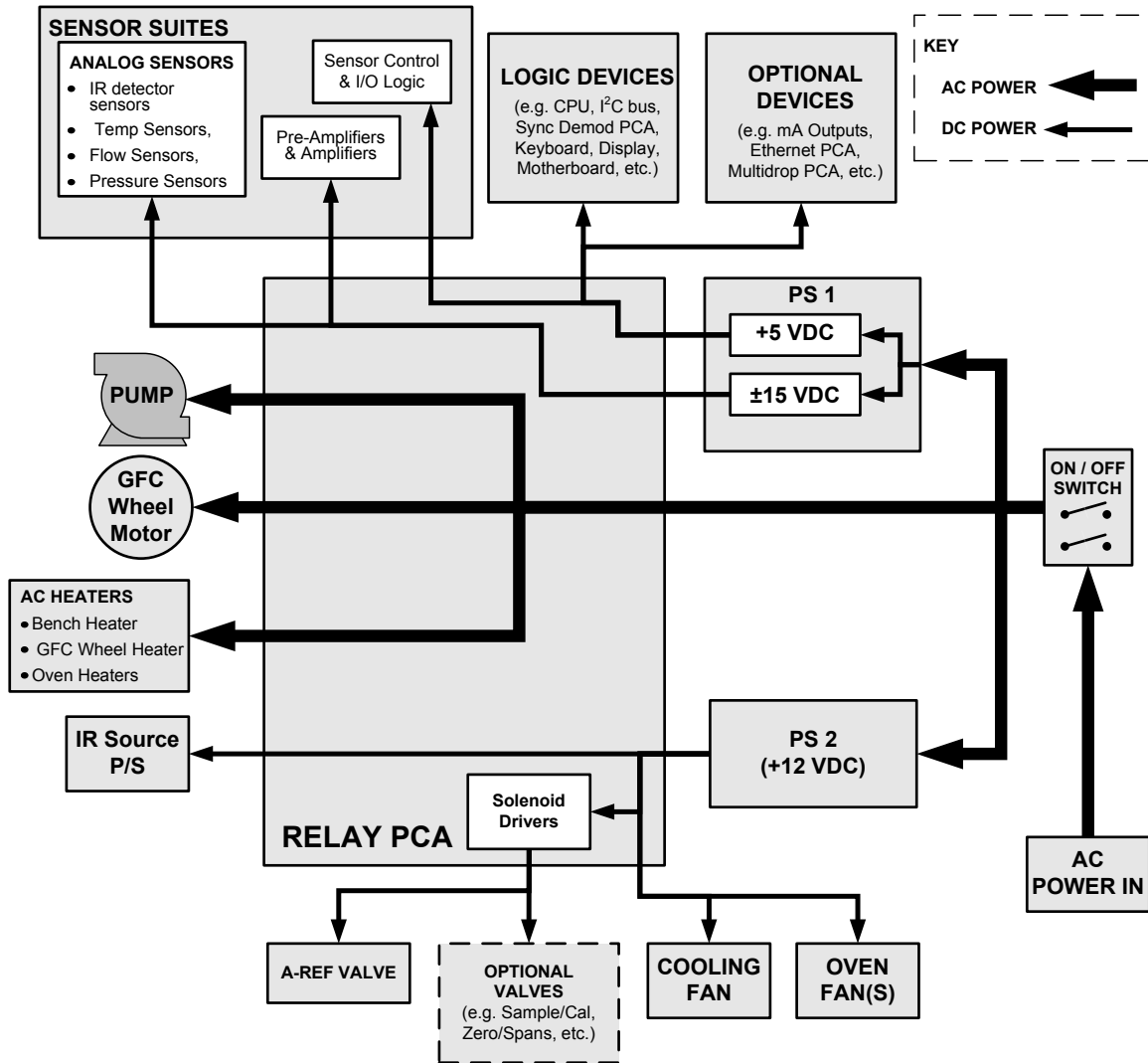



Figure 10-7: TML30U Distribution Block Diagram


USER NOTES:




# 11. TROUBLESHOOTING & REPAIR

## 11.1 General Notes

	<p style="text-align: center;"><b>CAUTION</b></p> <p>THE OPERATIONS OUTLINED IN THIS CHAPTER MUST BE PERFORMED BY QUALIFIED MAINTENANCE PERSONNEL ONLY. PLEASE READ CHAPTER 11 OF THE TML30/M MANUAL (P/N 04288) BEFORE ATTEMPTING THE FOLLOWING TROUBLE SHOOTING OR REPAIR PROCEDURES</p>
---	--

	<p style="text-align: center;"><b>CAUTION</b></p> <p>RISK OF ELECTRICAL SHOCK. SOME OPERATIONS NEED TO BE CARRIED OUT WITH THE ANALYZER OPEN AND RUNNING. EXERCISE CAUTION TO AVOID ELECTRICAL SHOCKS AND ELECTROSTATIC OR MECHANICAL DAMAGE TO THE ANALYZER. DO NOT DROP TOOLS INTO THE ANALYZER OR LEAVE THOSE AFTER YOUR PROCEDURES. DO NOT SHORTEN OR TOUCH ELECTRIC CONNECTIONS WITH METALLIC TOOLS WHILE OPERATING INSIDE THE ANALYZER. USE COMMON SENSE WHEN OPERATING INSIDE A RUNNING ANALYZER.</p>
---	--

The information found in Chapter 11 of the TML30/M Operators Manual (P/N 04288) is applicable to the TML30U with the exceptions below.

	<p style="text-align: center;"><b>CAUTION</b></p> <p>ALWAYS ALLOW THE TML30U TO OPERATE FOR AT LEAST TWO HOURS AFTER ALL REPAIRS HAVE BEEN FINISHED AND THE INSTRUMENTS CASE IS RE-CLOSED. AT THE END OF THIS 2-HOUR STABILIZATION PERIOD MANUALLY INITIATE AN A-REF MEASUREMENT (SEE SECTION 6.4.2)</p>
---	--

## 11.2 Fault Diagnosis with Warning Messages

The following Table replaces Table 11-1; of the TML30/M Operators Manual.

**Table 11-1: Warning Messages - Indicated Failures**

WARNING MESSAGE	FAULT CONDITION	POSSIBLE CAUSES
<b>BENCH TEMP WARNING</b>	The optical bench temp is controlled at $48 \pm 2$ °C.	Bad bench heater Bad bench temperature sensor Bad relay controlling the bench heater Entire relay board is malfunctioning I <sup>2</sup> C buss malfunction
<b>BOX TEMP WARNING</b>	Box Temp is < 5 °C or > 48 °C.	NOTE: For TML30U's operating for at least 2 hours, the box temperature typically should be the same as the oven temperature (46°C). Stopped motherboard stabilization fan Stopped oven heater fan (there are two) Failed oven heater (s) Failed oven fan(s) Failed oven temperature sensor Failed relay controlling the one of the oven heaters Failed relay board I <sup>2</sup> C buss
<b>CANNOT DYN SPAN</b>	Dynamic Span operation failed	Measured concentration value is too high or low. Concentration slope value to high or too low
<b>CANNOT DYN ZERO</b>	Dynamic Zero operation failed	Measured concentration value is too high. Concentration offset value to high.
<b>CONFIG INITIALIZED</b>	Configuration and Calibration data reset to original Factory state.	Failed disk on chip User erased data
<b>DATA INITIALIZED</b>	Data Storage in iDAS was erased	Failed disk on chip User cleared data
<b>FRONT PANEL WARN</b>	The CPU is unable to Communicate with the Front Panel Display /Keyboard	Warning only appears on serial I/O com port(s) Front panel display will be frozen, blank or will not respond. Failed keyboard I <sup>2</sup> C buss failure Loose connector/wiring
<b>PHOTO TEMP WARNING</b>	PHT DRIVE is >4800 mVDC	Failed IR photo-detector Failed sync/demod board IR photo-detector improperly attached to the sample chamber Bench temp too high.
<b>OVEN TEMP WARNING</b>	The temperature of the insulated convection oven area of the analyzer is outside of the specified limits.	Oven temperature outside of specified range Failed oven heater(s) Failed oven fan(s) Failed oven temperature sensor Relay controlling the one of the oven heater Failed relay board I <sup>2</sup> C buss
<b>REAR BOARD NOT DET</b>	Mother Board not detected on power up.	Warning only appears on serial I/O com port(s) Front panel display will be frozen, blank or will not respond. Massive failure of mother board
<b>RELAY BOARD WARN</b>	The CPU cannot communicate with the Relay Board.	I <sup>2</sup> C buss failure Failed relay board Loose connectors/wiring

(Table continued on next page)

Table 11-1: Warning Messages – Indicated Failures (cont.)

WARNING MESSAGE	FAULT CONDITION	POSSIBLE CAUSES
<b>SAMPLE FLOW WARN</b>	Sample flow rate is <math><1400\text{ cm}^3/\text{min}</math> or <math>>2200\text{ cm}^3/\text{min}</math>.	Failed sample pump Blocked sample inlet/gas line Dirty particulate filter Leak downstream of critical flow orifice Failed flow sensor/circuitry
<b>SAMPLE PRES WARN</b>	Sample Pressure is <math><10\text{ in-Hg}</math> or <math>>35\text{ in-Hg}</math> Normally 29.92 in-Hg at sea level decreasing at 1 in-Hg per 1000 ft of altitude (with no flow – pump disconnected).	If sample pressure is <math><10\text{ in-hg}</math>: <ul style="list-style-type: none"> <li>o Blocked particulate filter</li> <li>o Blocked sample inlet/gas line</li> <li>o Failed pressure sensor/circuitry</li> </ul> If sample pressure is <math>>35\text{ in-hg}</math>: <ul style="list-style-type: none"> <li>o Pressurized sample gas. Install vent</li> <li>o Blocked vent line on pressurized sample/zero/span gas supply</li> <li>o Bad pressure sensor/circuitry</li> </ul>
<b>SAMPLE TEMP WARN</b>	Sample temperature is <math><10^\circ\text{C}</math> or <math>>100^\circ\text{C}</math>.	Ambient temperature outside of specified range Failed bench heater Failed bench temperature sensor Relay controlling the bench heater Failed relay board I <sup>2</sup> C buss
<b>SOURCE WARNING</b>	Occurs when CO Ref is <math><1250\text{ mVDC}</math> or <math>>4950\text{ mVDC}</math>.  Either of these conditions will result in an invalid M/R ratio.	GFC wheel stopped Failed sync/demod board If status LED's on the sync/demod board <u>ARE</u> flashing the cause is most likely a failed: IR source Relay board I <sup>2</sup> C buss IR photo-detector
<b>SYSTEM RESET</b>	The computer has rebooted.	This message occurs at power on. If you have not cycled the power on your instrument: <ul style="list-style-type: none"> <li>o Failed +5 VDC power,</li> <li>o Fatal error caused software to restart</li> <li>o Loose connector/wiring</li> </ul>
<b>WHEEL TEMP WARNING</b>	The filter wheel temperature is controlled at <math>68 \pm 2^\circ\text{C}</math>	Blocked cooling vents below GFC Assembly. Make sure that adequate clear space beneath the analyzer. Analyzer's top cover removed Wheel heater Wheel temperature sensor Relay controlling the wheel heater Entire relay board I <sup>2</sup> C buss

## 11.2.1 Fault Diagnosis with Test Functions

The following table supersedes Table 11.2 of the TML30/M Operators Manual (P/N 04288).

**Table 11-2: Test Functions - Indicated Failures**

TEST FUNCTIONS (As Displayed)	INDICATED FAILURE(S)
<b>TIME</b>	Time of day clock is too fast or slow To adjust See Section 6.6 of the TML30/M Operators Manual (P/N 04288). Battery in clock chip on CPU board may be dead.
<b>RANGE</b>	Incorrectly configured measurement range(s) could cause response problems with a Data logger or chart recorder attached to one of the analog output. If the Range selected is too small, the recording device will over range. If the Range is too big, the device will show minimal or no apparent change in readings.
<b>STABIL</b>	Indicates noise level of instrument or CO concentration of sample gas (See Section 11.4.2 of the TML30/M Operators Manual for causes).
<b>CO MEAS &amp; CO REF</b>	If the value displayed is too high the IR Source has become brighter. Adjust the variable gain potentiometer on the sync/demod board (See Section 11.6.3 of the TML30/M Operators Manual) If the value displayed is too low or constantly changing and the <b>CO REF</b> is OK: <ul style="list-style-type: none"> <li>o Failed multiplexer on the mother board</li> <li>o Failed sync/demod board</li> <li>o Loose connector or wiring on sync/demod board</li> </ul> If the value displayed is too low or constantly changing and the <b>CO REF</b> is <u>BAD</u> : <ul style="list-style-type: none"> <li>o GFC wheel stopped or rotation is too slow</li> <li>o Failed sync/demod board IR source</li> <li>o Failed IR source</li> <li>o Failed relay board</li> <li>o Failed I<sup>2</sup>C buss</li> <li>o Failed IR photo-detector</li> </ul>
<b>MR RATIO</b>	When the analyzer is sampling zero air and the ratio is too low: <ul style="list-style-type: none"> <li>o The reference cell of the GFC wheel is contaminated or leaking.</li> <li>o The alignment between the GFC wheel and the segment sensor, the M/R sensor or both is incorrect.</li> <li>o Failed sync/demod board</li> </ul> When the analyzer is sampling zero air and the ratio is too high: <ul style="list-style-type: none"> <li>o Zero air is contaminated</li> <li>o Failed IR photo-detector</li> </ul>
<b>PRES</b>	See Table 11-1 for <b>SAMPLE PRES WARN</b>
<b>SAMPLE FL</b>	Check for gas flow problems. See Section 11.1.6 of the TML30/M Operators Manual)
<b>SAMPLE TEMP</b>	SAMPLE TEMP should be close to BENCH TEMP. Temperatures outside of the specified range or oscillating temperatures are cause for concern
<b>BENCH TEMP</b>	Bench temp control improves instrument noise, stability and drift. Temperatures outside of the specified range or oscillating temperatures are cause for concern. See Table 11-1 for <b>BENCH TEMP WARNING</b>
<b>WHEEL TEMP</b>	Wheel temp control improves instrument noise, stability and drift. Outside of set point or oscillating temperatures are causes for concern. See Table 11-1 for <b>WHEEL TEMP WARNING</b>
<b>BOX TEMP</b>	If the <b>box</b> temperature is out of range: <ul style="list-style-type: none"> <li>o Check the motherboard stabilization fan (see Figure 3-1).</li> <li>o See Table 11-1 for <b>BOX TEMP WARNING</b>.</li> </ul>
<b>OVEN TEMP</b>	If the oven is temperature is out of range, check both of the oven heater fans in the power supply module. Areas to the side and rear of instrument should allow adequate ventilation. <ul style="list-style-type: none"> <li>o Check the both of the oven fans (see Figure 3-1).</li> <li>o Check both of the oven heaters.</li> </ul> See Table 11-1 for <b>OVEN TEMP WARNING</b> .

(table continued)

Table 11-2: Test Functions - Indicated Failures

TEST FUNCTIONS (As Displayed)	INDICATED FAILURE(S)
<b>PHT DRIVE</b>	If this drive voltage is out of range it may indicate one of several problems: - A poor mechanical connection between the various components in inside the detector housing - An electronic failure of the IR Photo-Detector's built-in cooling circuitry, or; - A temperature problem inside the analyzer chassis. In this case other temperature warnings would also be active such as <b>OVEN TEMP WARNING, BENCH TEMP WARNING</b> or <b>BOX TEMP WARNING</b> .
<b>SLOPE</b>	Values outside range indicate Contamination of the zero air or span gas supply Instrument is Miscalibrated Blocked gas flow Contaminated or leaking GFC wheel (either chamber) Faulty IR photo-detector Faulty sample faulty IR photo-detector pressure sensor (P1) or circuitry Invalid M/R ratio (see above) Bad/incorrect span gas concentration due.
<b>OFFSET</b>	Values outside range indicate Contamination of the zero air supply Contaminated or leaking GFC wheel (either chamber) Faulty IR photo-detector

## 11.2.2 Relay Board Status LED's

The information found in Section 11.1.4.3 of the TML30/M Operators Manual (P/N 04288) is applicable to the TML30U with the following exception:

The following table replaces Table 11-5 of the TML30/M Operators Manual.

**Table 11-3: Relay Board Status LED Failure Indications**

LED	FUNCTION	SIGNAL I/O PARAMETER		DIAGNOSTIC TECHNIQUE
		ACTIVATED BY	VIEW RESULT	
D2 Yellow	WHEEL HEATER	WHEEL_HEATER	WHEEL_TEMP	Voltage displayed should change. If not: Failed Heater Faulty Temperature Sensor Failed AC Relay Faulty Connectors/Wiring
D3 Yellow	BENCH HEATER	BENCH_HEATER	BENCH_TEMP	Voltage displayed should change. If not: Failed Heater Faulty Temperature Sensor Failed AC Relay Faulty Connectors/Wiring
D4 Yellow	OVEN HEATERS	OVEN_HEATER	OVEN_TEMP	Voltage displayed should change. If not: Failed Oven Heater(s) Failed Oven Fans(s) Faulty Oven Temperature Sensor Failed AC Relay Faulty Connectors/Wiring
D5 Green	SAMPLE/CAL GAS VALVE OPTION	CAL_VALVE	N/A	Sample/Cal Valve should audibly change states. If not: Failed Valve Failed Relay Drive IC on Relay Board Failed Relay Board Faulty +12 VDC Supply (PS2) Faulty Connectors/Wiring
D6 Green	ZERO/SPAN GAS VALVE OPTION	SPAN_VALVE	N/A	Zero/Span Valve should audibly change states. If not: Failed Valve Failed Relay Drive IC on Relay Board Failed Relay Board Faulty +12 VDC Supply (PS2) Faulty Connectors/Wiring
D7 Green	SHUTOFF VALVE OPTION	SHUTOFF_VALVE	N/A	Shutoff Valve should audibly change states. If not: Failed Valve Failed Relay Drive IC on Relay Board Failed Relay Board Faulty +12 VDC Supply (PS2) Faulty Connectors/Wiring
D8 Green	IR SOURCE	IR_SOURCE	CO_MEASURE	Voltage displayed should change. If not: Failed IR Source Faulty +12 VDC Supply (PS2) Failed Relay Board Failed IR Photo-Detector Failed Sync/Demod Board Faulty Connectors/Wiring

## 11.3 Gas Flow Problems

See section 11.2 of the TML30/M Operators Manual (P/N 04288).

In addition to the checks described in the TML30/M Operators Manual

Check for blockages or leaks at the A-Ref valve.

## 11.4 Other Performance Problems

The information found in Section 11.4 of the TML30/M Operators Manual (P/N 04288) is applicable to the TML30U with the following addition.

### 11.4.1 Unexplained drift

Because the TML30U makes higher resolution CO measurements than the TML30/M, subtle issues with certain subsystems that would be unimportant for the TML30/M can affect its accuracy: The most common of these are:

Temperature Coefficient issues related to the motherboard's A-to-D converter

Age related changes to some of the optical bench components (e.g. the mirrors, the IR source, the IR detector, etc.)

Ambient changes in the condition of the instrument or the sample gas.

If a drift problem exists and calibrating the instruments zero and span points does not correct the problem or there is no obvious component failure, perform the following operations in order:

1. Let the analyzer run uninterrupted for at least 2 hours

This will ensure that the entire oven area and all of the components therein have reached an equal and stable temperature.

2. Perform an Internal A-to-D Converter calibration (see Section 6.13.6.5 of the TML30/M Operators Manual).

This should solve any issues related to the A/D converter.

3. Perform a Dark Calibration of the Optical Bench (see Section 6.13.7.2 of the TML30/M Operators Manual).

This should account for any issues related to changes in the optical bench components.

4. Manually initiate an **A-REF** cycle (see Section 6.4.2).

This should account for any issues related to changes in the ambient conditions of the sample gas.

## 11.5 Subsystem Checkout

### 11.5.1 Relay Board

The information found in Section 11.5.5 of the TML30/M Operators Manual (P/N 04288) is applicable to the TML30U with the following exception:

The following table replaces Table 11-8 of the TML30/M Operators Manual.

**Table 11-4: Relay Board Control Devices**

FUNCTION	CONTROL DEVICE	IN SOCKET
Wheel Heater	K1	Yes
Bench Heater	K2	Yes
Oven Heater	K3	Yes
IZS Valves	U4	Yes
IR Source Drive	U5	No

### 11.5.2 Motherboard

#### 11.5.2.1 A/D Functions

The TML30U makes higher resolution CO measurements than the TML30/M. This means it is susceptible to temperature coefficient issues related to the motherboard's A-to-D converter. This could occur if the temperature of the motherboard differs significantly from the rest of the analyzer's oven area.

Compare the values of the **BOX TEMP** & **OVEN TEMP** test functions. If they are significantly different check the function of the:

Oven heaters.

The oven heater fans.

The motherboard stabilization fan.

The relays controlling the oven heaters.

No abnormal blockages to airflow inside the oven area exist.



## **11.6 Technical Assistance**

If this addendum and its trouble-shooting / repair sections do not solve your problems, technical assistance may be obtained from Teledyne Instruments, Customer Service, 35 Inverness Drive East, Englewood, CO 80112.

Phone: 1-800-846-6062. Fax: 1-303-799-4853.

Email: [tml\\_support@teledyne.com](mailto:tml_support@teledyne.com).

Before you contact customer service, fill out the problem report form in Appendix C, which is also available online for electronic submission at <http://www.teledyne-ml.com/manuals.asp>.

---

## **USER NOTES:**

---

**USER NOTES:**

## **APPENDIX A - Version Specific Software Documentation**

**APPENDIX A-1: TML30U Software Menu Trees**

**APPENDIX A-2: TML30U Setup Variables Available Via Serial I/O**

**APPENDIX A-3: TML30U Warnings and Test Measurements Via Serial I/O**

**APPENDIX A-4: TML30U Signal I/O Definitions**

**APPENDIX A-5: TML30U iDAS Functions**

APPENDIX A-1: TML30U Software Menu Trees, Revision K.6

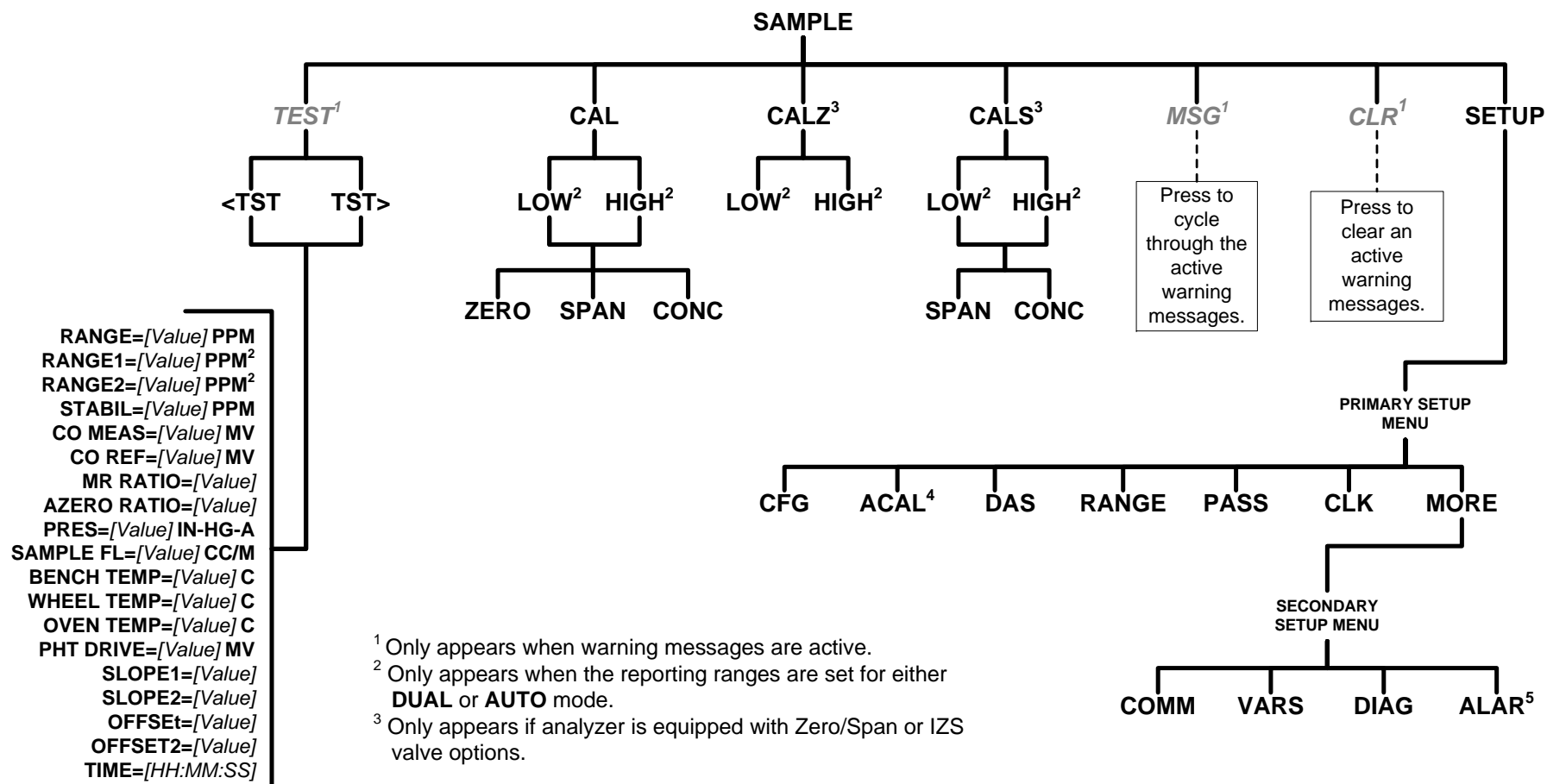
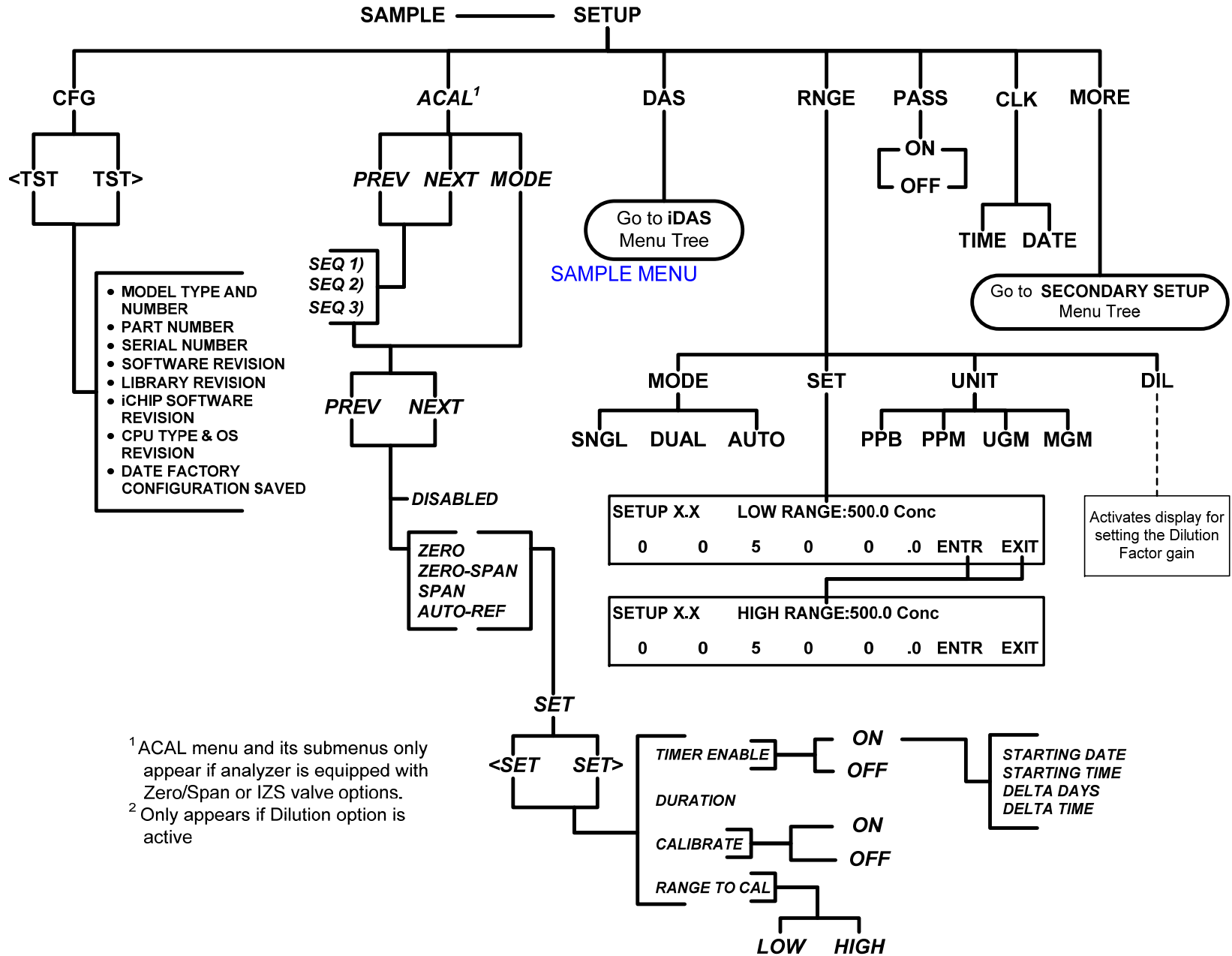


Figure A-1: Basic Sample Display Menu



<sup>1</sup> ACAL menu and its submenus only appear if analyzer is equipped with Zero/Span or IZS valve options.  
<sup>2</sup> Only appears if Dilution option is active

Figure A-2: Primary Setup Menu (Except iDAS)

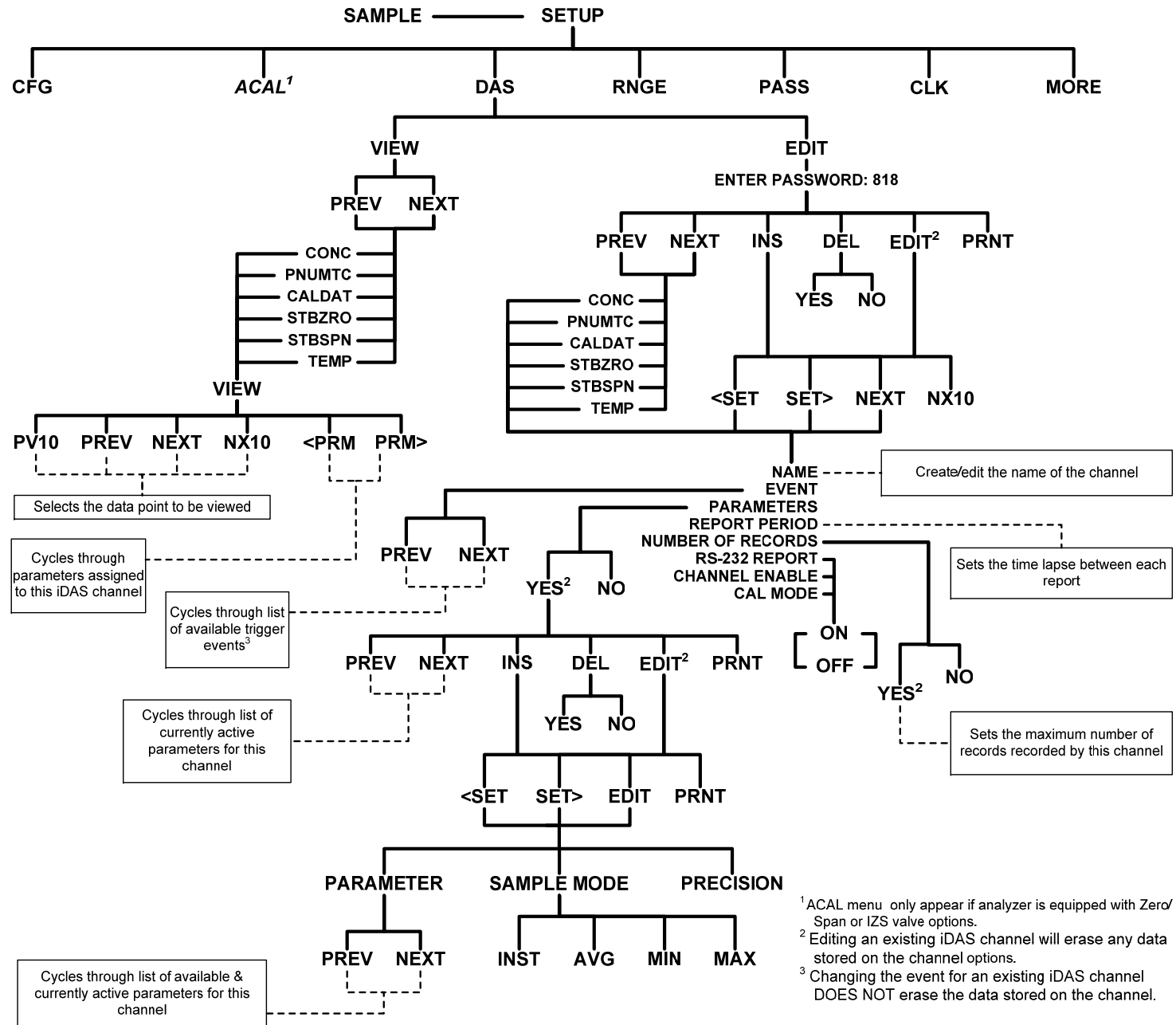


Figure A-3: Primary Setup Menu → iDAS Submenu

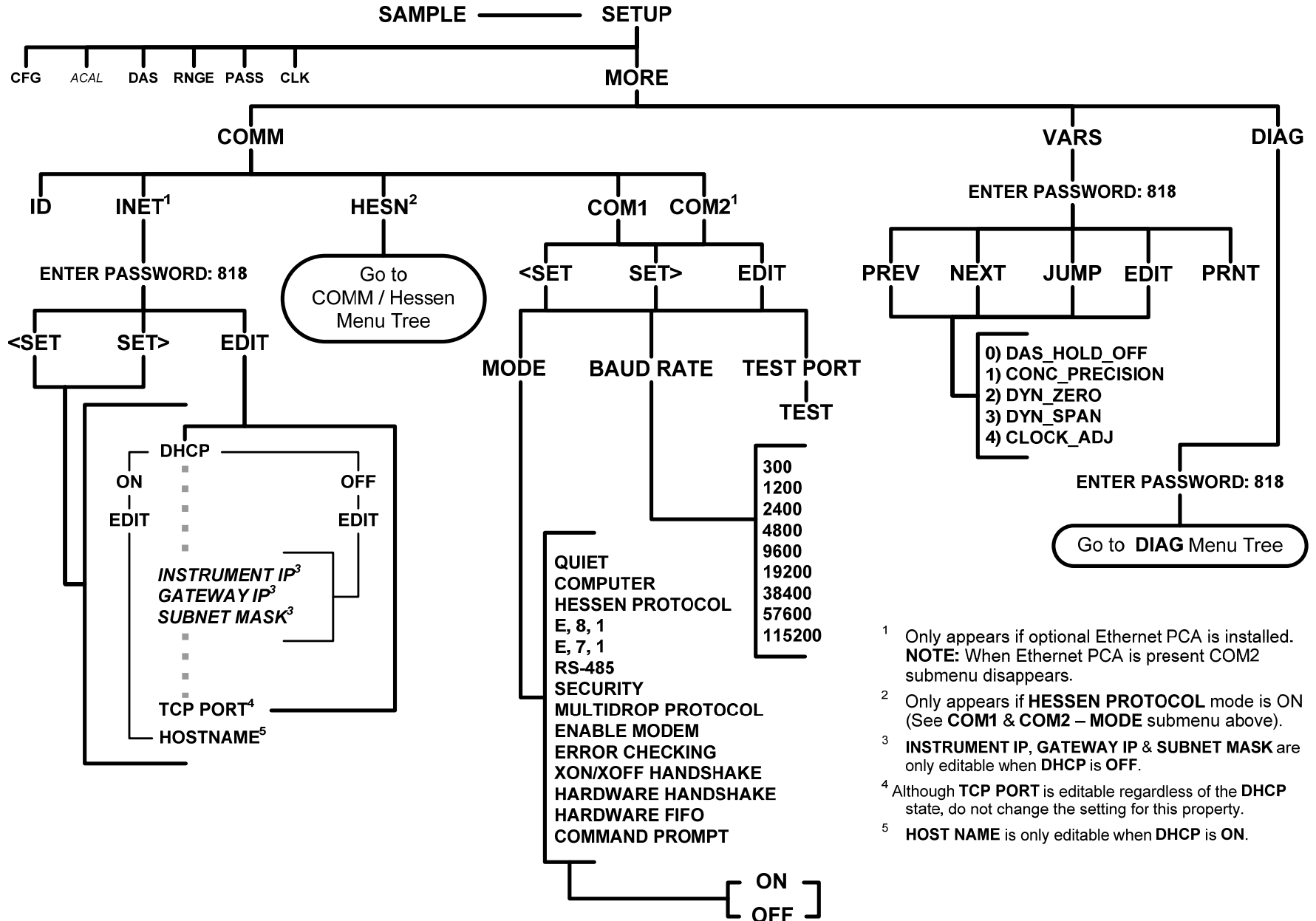
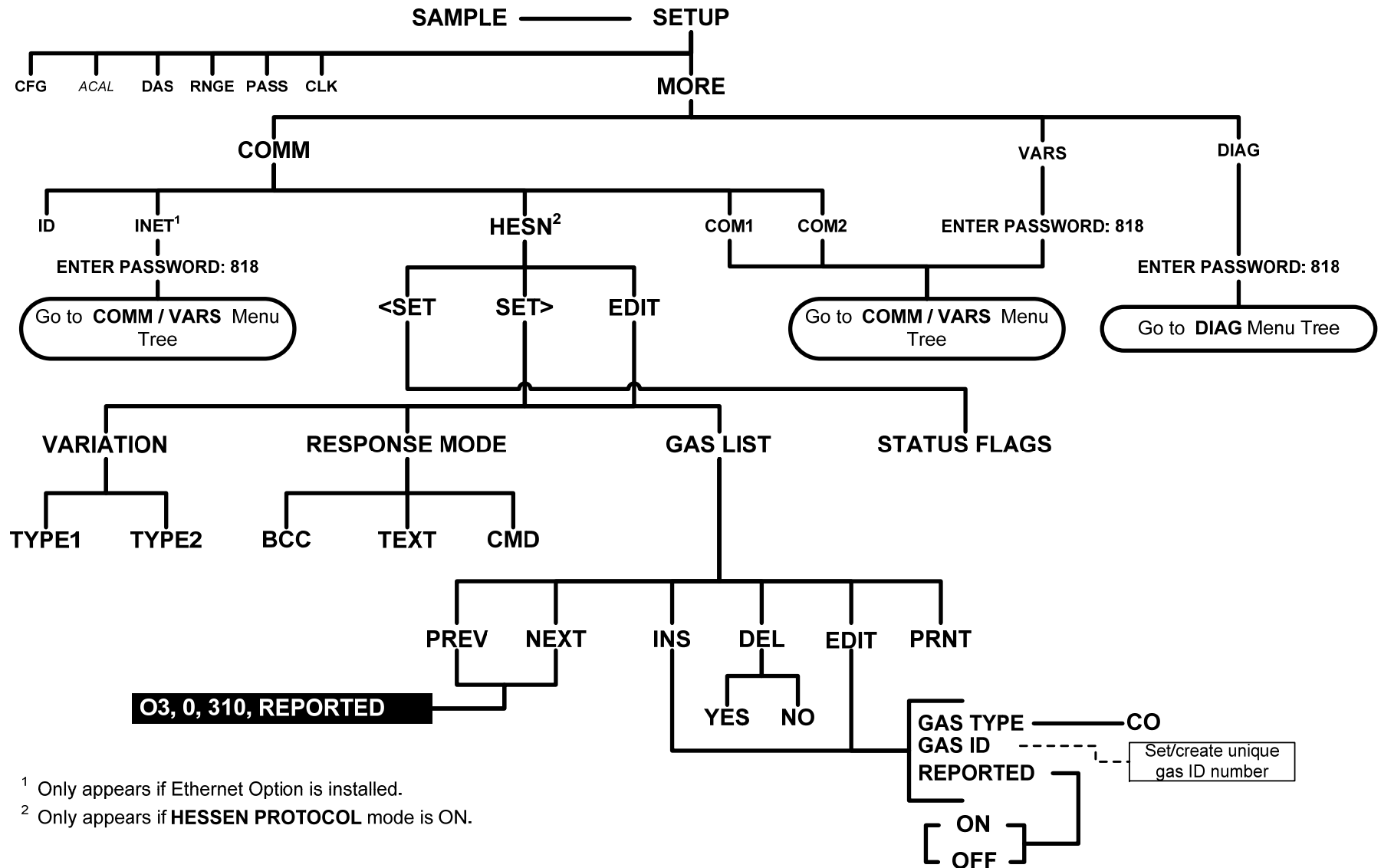


Figure A-4: Secondary Setup Menu → COMM and VARS Submenus

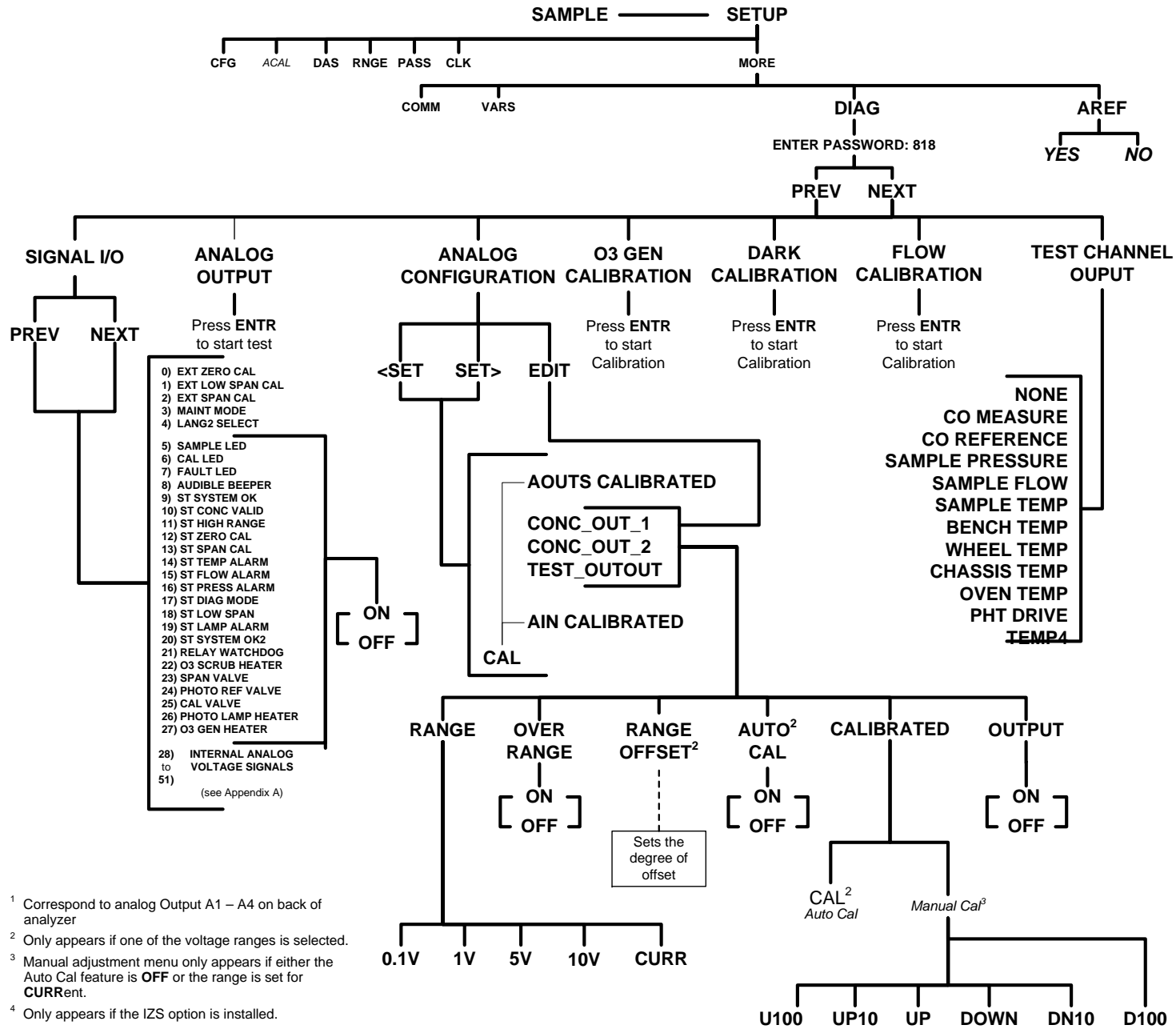
- <sup>1</sup> Only appears if optional Ethernet PCA is installed. **NOTE:** When Ethernet PCA is present COM2 submenu disappears.
- <sup>2</sup> Only appears if **HESSEN PROTOCOL** mode is ON (See **COM1 & COM2 – MODE** submenu above).
- <sup>3</sup> **INSTRUMENT IP, GATEWAY IP & SUBNET MASK** are only editable when **DHCP** is OFF.
- <sup>4</sup> Although **TCP PORT** is editable regardless of the **DHCP** state, do not change the setting for this property.
- <sup>5</sup> **HOST NAME** is only editable when **DHCP** is ON.



<sup>1</sup> Only appears if Ethernet Option is installed.  
<sup>2</sup> Only appears if HESSEN PROTOCOL mode is ON.

Figure A-5: Secondary Setup Menu → Hessen Protocol Submenu





<sup>1</sup> Correspond to analog Output A1 – A4 on back of analyzer  
<sup>2</sup> Only appears if one of the voltage ranges is selected.  
<sup>3</sup> Manual adjustment menu only appears if either the Auto Cal feature is OFF or the range is set for CURRENT.  
<sup>4</sup> Only appears if the IZS option is installed.

Figure A-6: DIAG Menu

## APPENDIX A-2: Setup Variables For Serial I/O, Revision K.6

Table A-1: Additional or Changed Setup Variables Relevant to the TML30U, Revision K.6

SETUP VARIABLE	NUMERIC UNITS	DEFAULT VALUE	VALUE RANGE	DESCRIPTION
<b>Low Access Level Setup Variables (818 password)</b> Same as in the TML30/M Operators Manual Appendix A (P/N 04906)				
STABIL_GAS	—	CO	CO, CO <sub>2</sub> , O <sub>2</sub>	CO <sub>2</sub> , O <sub>2</sub> not applicable to the TML30U
<b>Medium Access Level Setup Variables (929 password)</b>				
CO_SAMPLE	Samples	4	1–30	Number of samples to take in measure or reference mode.
FILT_SIZE	Samples	1000	1–1000	Moving average filter size.
FILT_DELTA	PPM	0.7	1–1000	Absolute change to trigger adaptive filter.
CO_CONST1	—	78.8	100–50000	CO calculation constant.
CO_CONST2	—	1.458	0–10	CO calculation constant.
BENCH_SET	°C	48 Warnings: 34–53	0–100	Optical bench temperature set point and warning limits.
WHEEL_SET	°C	62 Warnings: 57–67	0–100	Wheel temperature set point and warning limits.
ZERO_APPLY_IN_CAL	—	ON	OFF, ON	ON applies auto-reference offset and dilution factor during zero/span calibration; OFF disables both
ZERO_DWELL	Minutes	3	1–60	Dwell time after closing or opening zero scrubber valve.
ZERO_SAMPLES	Samples	1000	1–1000	Number of zero samples to average.
ZERO_FILT_SIZE	Samples	5	1–100	Auto-zero offset moving average filter size.
ZERO_LIMIT	Ratio	1.15	0–5	Minimum auto-zero ratio allowed; must be <i>greater</i> than this value to be valid.
ZERO_CAL	Ratio	1.18	0.5–5	Calibrated auto-zero ratio.
CO_TARG_ZERO1	Conc.	0	-100.00–999.99	Target CO concentration during zero offset calibration of range 1.
CO_TARG_MID1	Conc.	50	0.01–9999.99	Target CO concentration during mid-point calibration of range 1.
CAL_BOX_TEMP1	°C	30	0–100	Calibrated box temperature for range 1.
CO_TARG_ZERO2	Conc.	0	-100.00–999.99	Target CO concentration during zero offset calibration of range 2.
CO_TARG_MID2	Conc.	50	0.01–9999.99	Target CO concentration during mid-point calibration of range 2.
CAL_BOX_TEMP2	°C	30	0–100	Calibrated box temperature for range 2.
TEST_CHAN_ID	—	NONE	Same as TML30/M with following addition: TEMP4	Diagnostic analog output ID.
SAMP_FLOW_SET	cc/m	1800 Warnings: 1400–2500	0–5000	Sample flow warning limits. Set point is not used.
OVEN_SET	°C	46 Warnings: 41–51	0–100	Internal box temperature #2/oven set point and warning limits.
OVEN_CYCLE	Seconds	10	0.5–30	Internal box temperature #2/oven control cycle period.
<i>Table continues</i>				

SETUP VARIABLE	NUMERIC UNITS	DEFAULT VALUE	VALUE RANGE	DESCRIPTION
OVEN_PROP	1/°C	0.5	0–100	Internal box temperature #2/oven PID proportional coefficient. Proportional band is the reciprocal of this setting.
OVEN_INTEG	—	0.02	0–100	Internal box temperature #2/oven PID integral coefficient.
OVEN_DERIV	—	0	0–100	Internal box temperature #2/oven PID derivative coefficient.
OVEN_SET	°C	42 Warnings: 37–47	0–100	Internal box temperature #2/oven set point and warning limits.
BENCH_CYCLE	Seconds	15	0.5–30	Optical bench temperature control cycle period.
BENCH_PROP	1/°C	1.5	0–100	Optical bench temperature PID proportional coefficient. Proportional band is the reciprocal of this setting.
BENCH_INTEG	—	10.5	0–100	Optical bench temperature PID integral coefficient.
BENCH_DERIV	—	0	0–100	Optical bench temperature PID derivative coefficient.
WHEEL_CYCLE	Seconds	8	0.5–30	Wheel temperature control cycle period.
WHEEL_PROP	1/°C	0.3	0–100	Wheel temperature PID proportional coefficient. Proportional band is the reciprocal of this setting.
WHEEL_INTEG	—	0.06	0–100	Wheel temperature PID integral coefficient.
WHEEL_DERIV	—	0	0–100	Wheel temperature PID derivative coefficient.

**Table A-2: TML30/M Setup Variables Not Applicable to the TML30U, Revision K.6**

Because the CO<sub>2</sub> and O<sub>2</sub> sensor options are not available on the TML30U, the following variables listed in Appendix A-2 of the TML30/M Operators Manual (P/N 04288) are not present in the TML30U software.

SETUP VARIABLE	NUMERIC UNITS	DEFAULT VALUE	VALUE RANGE	DESCRIPTION
<b>Medium Access Level Setup Variables (929 password)</b>				
CO2_DWELL	Seconds	0.1	0.1–30	Dwell time before taking each sample.
CO2_FILT_ADAPT	—	ON	ON, OFF	ON enables CO <sub>2</sub> adaptive filter; OFF disables it.
CO2_FILT_SIZE	Samples	48	1–300	CO <sub>2</sub> moving average filter size.
CO2_FILT_ASIZE	Samples	12	1–300	CO <sub>2</sub> moving average filter size in adaptive mode.
CO2_FILT_DELTA	%	2	0.01–10	Absolute CO <sub>2</sub> conc. change to trigger adaptive filter.
CO2_FILT_PCT	%	10	0.1–100	Percent CO <sub>2</sub> conc. change to trigger adaptive filter.
CO2_FILT_DELAY	Seconds	90	0–300	Delay before leaving CO <sub>2</sub> adaptive filter mode.
CO2_DIL_FACTOR	—	1	0.1–1000	Dilution factor for CO <sub>2</sub> . Used only if is dilution enabled with <i>FACTORY_OPT</i> variable.
O2_DWELL	Seconds	1	0.1–30	Dwell time before taking each sample.
O2_FILT_ADAPT	—	ON	ON, OFF	ON enables O <sub>2</sub> adaptive filter; OFF disables it.
O2_FILT_SIZE	Samples	60	1–500	O <sub>2</sub> moving average filter size in normal mode.
O2_FILT_ASIZE	Samples	10	1–500	O <sub>2</sub> moving average filter size in adaptive mode.
O2_FILT_DELTA	%	2	0.1–100	Absolute change in O <sub>2</sub> concentration to shorten filter.
<i>Table continues</i>				

SETUP VARIABLE	NUMERIC UNITS	DEFAULT VALUE	VALUE RANGE	DESCRIPTION
O2_FILT_PCT	%	2	0.1–100	Relative change in O <sub>2</sub> concentration to shorten filter.
O2_FILT_DELAY	Seconds	20	0–300	Delay before leaving O <sub>2</sub> adaptive filter mode.
O2_DIL_FACTOR	—	1	0.1–1000	Dilution factor for O <sub>2</sub> . Used only if is dilution enabled with <i>FACTORY_OPT</i> variable.
CO2_COMP_ENABLE	—	OFF	ON, OFF	ON enables CO <sub>2</sub> compensation; OFF disables it.
CO2_COMP_CONC	%	0	0–20	CO <sub>2</sub> concentration to compensate for.
O2_CELL_SET	°C	50 Warnings: 45–55	30–70	O <sub>2</sub> sensor cell temperature set point and warning limits.
STD_O2_CELL_TEMP	°K	323	1–500	Standard O <sub>2</sub> cell temperature for temperature compensation.
ZERO_ENABLE	—	ON, OFF	OFF, ON	ON enables auto-zero calibration using scrubber; OFF disables it.
ZERO_FREQ	Minutes	5	0.1–1440	Auto-zero calibration period.
CO2_TARG_SPAN_CONC	%	12	0.1–1000	Target CO <sub>2</sub> concentration during span calibration.
CO2_SLOPE	—	1	0.5–5	CO <sub>2</sub> slope.
CO2_OFFSET	%	0	-10–10	CO <sub>2</sub> offset.
O2_TARG_SPAN_CONC	%	20.95	0.1–100	Target O <sub>2</sub> concentration during span calibration.
O2_SLOPE	—	1	0.5–2	O <sub>2</sub> slope.
O2_OFFSET	%	0	-10–10	O <sub>2</sub> offset.
CO2_RANGE	%	15	0.1–500	CO <sub>2</sub> concentration range.
O2_RANGE	%	100	0.1–500	O <sub>2</sub> concentration range.
O2_CELL_CYCLE	Seconds	10	0.5–30	O <sub>2</sub> cell temperature control cycle period.
O2_CELL_PROP	—	1	0–10	O <sub>2</sub> cell PID temperature control proportional coefficient.
O2_CELL_INTEG	—	0.1	0–10	O <sub>2</sub> cell PID temperature control integral coefficient.
O2_CELL_DERIV	—	0 (disabled)	0–10	O <sub>2</sub> cell PID temperature control derivative coefficient.

## APPENDIX A-3: Warnings and Test Functions, Revision K.6

Table A-3: Additional or Changed Relevant to the TML30U Warning Messages, Revision K.6

NAME	MESSAGE TEXT	DESCRIPTION
WAUTOZERO	<b>AZERO WARN 1.001</b>	Auto-reference ratio below limit specified by <i>ZERO_LIMIT</i> variable.
WBOXTEMP2	<b>BOX TEMP2 WARNING</b>	Chassis temperature outside of warning limits specified by <i>BOX_SET2</i> variable.
WOVENTEMP	<b>OVEN TEMP WARNING</b>	Oven temperature outside of warning limits specified by <i>OVEN_SET</i> variable.

Table A-4: TML30/M Warning Messages Not Applicable to the TML30U, Revision K.6

Because the CO<sub>2</sub> and O<sub>2</sub> sensor options are not available on the TML30U, the following warning messages listed in Appendix A-3 of the TML30/M Operators Manual (P/N 04288) are not present in the TML30U software.

NAME	MESSAGE TEXT	DESCRIPTION
WCONCALARM1	<b>CONC ALARM 1 WARN</b>	Concentration limit 1 exceeded.
WCONCALARM2	<b>CONC ALARM 2 WARN</b>	Concentration limit 2 exceeded.
WO2CELLTEMP <sup>2</sup>	<b>O2 CELL TEMP WARN</b>	O <sub>2</sub> sensor cell temperature outside of warning limits specified by <i>O2_CELL_SET</i> variable.

Table A-5: Additional or Changed Test Function Relevant to the TML30U, Revision K.6

TEST FUNCTION NAME	MESSAGE TEXT	DESCRIPTION
STABILITY	STABIL=0.0 PPM	These gases not applicable to the TML30U
AUTOZERO	AZERO RATIO=1.234	Measure/reference ratio during auto-reference.
BOXTEMP2	BOX TEMP2=29.6 C	Internal box temperature #2.
OVENTEMP	OVEN TEMP=30.1 C	Oven temperature

Table A-6: TML30/M Test Function Not Applicable to the TML30U, Revision K.6

Because the CO<sub>2</sub> and O<sub>2</sub> sensor options are not available on the TML30U, the following test functions listed in Appendix A-2 of the TML30/M Operators Manual (P/N 04288) are not present in the TML30U software.

TEST FUNCTION NAME	MESSAGE TEXT	DESCRIPTION
CO2RANGE	CO2 RANGE=20 % <sup>1</sup>	CO <sub>2</sub> range.
O2RANGE	O2 RANGE=100 % <sup>2</sup>	O <sub>2</sub> range.
[STABILITY]	CO STB=0.0 PPM <sup>1,2</sup> CO2 STB=0.0 % <sup>1</sup> O2 STB=0.0 % <sup>2</sup>	These gases not applicable to the TML30U
O2CELLTEMP	O2 CELL TEMP=50.2 C	O <sub>2</sub> sensor cell temperature.
CO2SLOPE	CO2 SLOPE=1.000	CO <sub>2</sub> slope, computed during zero/span calibration.
CO2OFFSET	CO2 OFFSET=0.000	CO <sub>2</sub> offset, computed during zero/span calibration.
O2SLOPE	O2 SLOPE=0.980	O <sub>2</sub> slope, computed during zero/span calibration.
O2OFFSET	O2 OFFSET=1.79 %	O <sub>2</sub> offset, computed during zero/span calibration.

APPENDIX A-4: Signal I/O Definitions for TML30/M Series Analyzers, Rev. K.6

Table A-7: Additional or Changed Test Signal I/O Definitions for TML30U, Revision K.6

Signal Name	Bit or Channel Number	Description
A status outputs, U24, J1017, pins 1–8 = bits 0–7, default I/O address 323 hex		
ST_AUTO_REF	6	0 = in auto-reference mode 1 = not in auto-reference mode
ST_CONC_ALARM_2	7	0 = conc. limit 2 exceeded 1 = conc. OK
A status outputs, U24, J1017, pins 1–8 = bits 0–7, default I/O address 323 hex		
ST_AUTO_REF	6	0 = in auto-reference mode 1 = not in auto-reference mode
Relay board digital output (PCF8574), default I <sup>2</sup> C address 44 hex		
OVEN_HTR	3	0 = oven heaters on 1 = off

Table A-8: TML30/M Signal I/O Definitions Not Applicable to the TML30U, Revision K.6

Because the CO<sub>2</sub> and O<sub>2</sub> sensor options are not available on the TML30U, the following signals listed in Appendix A-4 of the TML30/M Operators Manual (P/N 04288) are not present in the TML30U software.

Signal Name	Bit or Channel Number	Description
Alarm outputs, U21, J1009, pins 1–12 = bits 4–7, default I/O address 325 hex		
ST_CONC_ALARM_1	5	1 = conc. limit 1 exceeded 0 = conc. OK
ST_CONC_ALARM_2	6	1 = conc. limit 2 exceeded 0 = conc. OK
A status outputs, U24, J1017, pins 1–8 = bits 0–7, default I/O address 323 hex		
ST_CONC_ALARM_1	6	0 = conc. limit 1 exceeded 1 = conc. OK
ST_CONC_ALARM_2	7	0 = conc. limit 2 exceeded 1 = conc. OK
Relay board digital output (PCF8574), default I <sup>2</sup> C address 44 hex		
O2_CELL_HEATER <sup>5</sup>	3	0 = O <sub>2</sub> sensor cell heater on 1 = off
Rear board primary MUX analog inputs		
O2_SENSOR	10	O <sub>2</sub> concentration sensor
CO2_SENSOR	12	CO <sub>2</sub> concentration sensor
Rear board temperature MUX analog inputs		
TEMP_INPUT_5	5	Diagnostic temperature input

## APPENDIX A-5: TML30U iDAS Parameters Revision K.6

Table A-9: Additional or Changed iDAS Trigger Events for TML30U, Revision K.6

NAME	DESCRIPTION
AZEROW	Auto-zero warning
OVTMPW	Internal box temperature #2/oven warning

Table A-10: TML30/M iDAS Trigger Events Not Applicable to the TML30U, Revision K.6

Because the CO<sub>2</sub> and O<sub>2</sub> sensor options are not available on the TML30U, the following iDAS triggers listed in Appendix A-2 of the TML30/M Operators Manual (P/N 04288) are not present in the TML30U software.

NAME	DESCRIPTION
EXITC2	Exit CO <sub>2</sub> calibration mode
CO2SLC	CO <sub>2</sub> slope and offset recalculated
O2SLPC	O <sub>2</sub> slope and offset recalculated
O2TMPW	O <sub>2</sub> sensor cell temperature warning



**Table A-9: Additional or Changed iDAS Functions for TML30U, Revision K.6**

NAME	DESCRIPTION	UNITS
AZERO	Auto-zero reading	M/R
OVNTMP	Internal box temperature #2/oven	°C
OVNDTY	Internal box temperature #2/oven control duty cycle	Fraction (0.0 = off, 1.0 = on full)

**Table A-9: TML30/M iDAS Functions Not Applicable to the TML30U, Revision K.6**

Because the CO<sub>2</sub> and O<sub>2</sub> sensor options are not available on the TML30U, the following iDAS functions listed in Appendix A-2 of the TML30/M Operators Manual (P/N 04288) are not present in the TML30U software.

NAME	DESCRIPTION	UNITS
CO2SLP <sup>1</sup>	CO <sub>2</sub> slope	none
CO2OFS <sup>1</sup>	CO <sub>2</sub> offset	%
O2SLPE <sup>3</sup>	O <sub>2</sub> slope	none
O2OFST <sup>3</sup>	O <sub>2</sub> offset	%
CO2ZSC <sup>1</sup>	CO <sub>2</sub> concentration during zero/span calibration, just before computing new slope and offset	%
O2ZSCN <sup>3</sup>	O <sub>2</sub> concentration during zero/span calibration, just before computing new slope and offset	%
CO2CNC <sup>1</sup>	CO <sub>2</sub> concentration	%
O2CONC <sup>3</sup>	O <sub>2</sub> concentration	%
O2TEMP <sup>3</sup>	O <sub>2</sub> sensor cell temperature	°C
BOXTMP	Internal box temperature	°C
TEST7	Diagnostic test input (TEST_INPUT_7)	mV
TEST8	Diagnostic test input (TEST_INPUT_8)	mV
TEMP5	Diagnostic temperature input (TEMP_INPUT_5)	°C

**APPENDIX A-6: Terminal Command Designators, Revision K.6**

The information found in Appendix A-6 of the TML30/M Operators Manual (P/N 04906) is applicable to the TML30U .

---

**USER NOTES:**

## APPENDIX B – TML30U SPARE PARTS & EXPENDABLES

**NOTE**

Use of replacement parts other than those supplied by API may result in non-compliance with European standard EN 61010-1.

- TML30USP – Spare Parts List TML30U

# USER NOTES

**TML30U ANALYZER SPARE PARTS LIST**

**REVISION HISTORY**

LTR	DESCRIPTION	DATE	INCORP	APPR
A	Release per DCN TML30USPA/ECO 6605	7/28/2006	CAD	JN
B	Skipped to match vendor's REV letter	N/A	N/A	N/A
C	Updated per DCN TML30USPC/ECO 6648	2/8/2007	CAD	JN
D	Updated per DCN TML30USPD/ECO 6686	11/8/2007	JN	JN
E	Skipped to match vendor's REV letter	N/A	N/A	N/A
F	Skipped to match vendor's REV letter	N/A	N/A	N/A
G	Updated per DCN TML30USPG/ECO 6750	8/5/2008	CAD	JN
H	Updated Per DCN TML30USPH/ECO 6842	6/24/2009	CAD	JN

**TML30U INDIVIDUAL SPARE PARTS LIST**

<b>Part Number</b>	<b>Description</b>	<b>Level</b>
000940300	ORIFICE, 20 MIL, (SAMPLE FLOW)	2
001761900	ASSY, FLOW CONTROL, 2 LITERS	3
003291500	ASSY, THERMISTOR, BENCH/WHEEL, TML30	3
009390000	APERTURE, TML30U	3
009450400	ASSY, SAMPLE.CAL VALVE	2
009550500	ASSY, SOURCE, TML30 S/N>65	2
009560001	GF WHEEL, CO	3
009690000	AKIT, TFE FLTR ELEMENT, 47MM, (FL6) (100)	2
009690100	AKIT, TFE FLTR, 47MM, (FL6) (30)	1
010790000	INPUT MIRROR, REPLICATED	3
010800000	OUTPUT MIRROR, REPLICATED	3
016290000	WINDOW, SAMPLE FILTER, 47MM	2
016300100	ASSY., SAMPLE FILTER, 47MM, 5UM,TML30U, SN>100	3
016300600	ASSY, SAMPLE FILTER, 47MM, ANG BKT, 5UM	3
016300900	ASSY., SAMPLE FILTER, 47MM, 5UM,TML30U, SN,100	3
019340200	ASSY, SAMPLE THERMISTOR, BRASS	2
033520000	MIRROR, OBJECT, 32 PASS, TML30	3
033520100	MIRROR, OBJECT, GOLD, 32 PASS, TML30U, SN>100	3
033560000	MIRROR, FIELD, 32 PASS, TML30	3
033560100	MIRROR, FIELD, GOLD, 32 PASS, TML30U, SN>100	3
038650100	ASSY., VOLTAGE PLUG, 115V, TML30U, S/N>100	3
039250000	MASK, FILTER WHEEL	3
040010000	ASSY, FAN REAR PANEL, E SERIES	3
040030900	PCA, FLOW/PRESSURE	3
041710000	ASSY, CPU, CONFIGURATION, "E" SERIES	3
042410200	ASSY, PUMP, INTERNAL, SENSOR-E SERIES	2
042410300	ASSY,INTERNAL PUMP W/2 LITER FLOW CONTROL	2
042580000	PCA, KEYBOARD, E-SERIES, W/V-DETECT	3
042680000	ASSY, VALVE, FOR SAMPLE/CAL VALVE ASSY	2
042880000	INSTRUCTION MANUAL, TML30/M, CO	3
042900100	PROGRAMMED FLASH, E SERIES	3
043250100	CONFIGURATION PLUGS, 115V/60Hz	for 041350000
043250300	CONFIGURATION PLUGS, 220-240V/50Hz	for 041350000
043250400	CONFIGURATION PLUGS, 220-240V/60Hz	for 041350000
043940000	PCA, INTERFACE, ETHERNET, E-SERIES	3
048620200	PCA, SERIAL INTERFACE, w/ MD, E SERIES	3
049600000	ASSY, PERMAPURE DRYER, DR7, TML30U	3
049660000	ADDENDUM TO TML30/M INSTRUCTION MANUAL, TML30E	3
050320000	PCA, PHOTO-INTERRUPTER	3
052830200	ASSY, MOTOR HUB, MR7, "E", 115V	3
055100200	OPTION, PUMP ASSY., HIGH-VOLTAGE 240VAC	3
055540100	DISK-ON-CHIP, W/SOFTWARE, TML30U	3
058800000	ASSY, THERMISTOR, OVEN	2
058021100	PCA, MOTHERBOARD, SENSOR E, GEN 5-I	3
CN0000229	CONNECTOR, REAR PANEL, 8 PIN	3
CN0000458	CONNECTOR, REAR PANEL, 12 PIN	3

**TML30U INDIVIDUAL SPARE PARTS LIST**

<b>Part Number</b>	<b>Description</b>	<b>Level</b>
CN0000520	CONNECTOR, REAR PANEL, 10 PIN	3
DS0000025	DISPLAY, E SERIES	3
FL0000001	FILTER, SS	1
HW0000005	FOOT, CHASSIS	3
HW0000020	SPRING	1
HW0000036	TFE TAPE, 1/4" (48 FT/ROLL)	1
OP0000009	WINDOW, IR SOURCE/BENCH	2
OR0000001	ORING, FLOW CONTROL	1
PS0000011	PWR SUPPLY, SW, +5V, +/-15V, 40W	3
PS0000024	COVER ENCLOSURE KIT,LPX 40/60	3
PS0000025	PWR SUPPLY, SW, 12V, 40W	3
PU0000022	REBUILD KIT, FOR PU20 & 04084	1
RL0000015	RELAY, DPDT, GORDOS PREFERRED	2
SW0000051	SWITCH, POWER CIRC BREAK VDE/CE, w/RG	3
SW0000059	PRESSURE XDUCER, 0-15 PSIA	2
009600400	AKIT, EXPENDABLES, TML30	R1
016910000	KIT, EXPENDABLE, CO CATALYST	R1
037250000	ASSY, HEATER, OPTICAL BENCH	R2
037860000	ORING, TFE RETAINER, SAMPLE FILTER	R1
040360300	KIT, SPARE PARTS TML30U	R1
040360400	KIT, SPARE PARTS, TML30U, S/N >100	R2
041350000	PCA, RELAY BOARD, TML30	R2
055010000	ASSY, MTR WHL HEATER w/THERM, 200W	R2
057650100	ASSY., CO SCRUBBER, TML30U, S/N>100	R2
058770000	ASSY., BLOWER, 50MM, TML30U S/N>100	R2
058780000	ASSY., BLOWER, 75MM, TML30U S/N>100	R2
058820000	ASSY., HEATER, BLOWER W/THERM, TML30U, S/N>100	R2
KIT000178	RETROFIT, SYNC DMOD W/DETECTOR, TML30	R2
KIT000251	KIT, SHIPPING SCREWS, TML30U	R1
OR0000034	ORING, INPUT & OUTPUT MIRRORS	R1
OR0000039	ORING, IR SOURCE/BENCH	R1
OR0000041	ORING, OBJECT & FIELD MIRRORS	R1
OR0000088	ORING, DETECTOR	R1
OR0000094	ORING, SAMPLE FILTER	R1
SW0000055	SWITCH, THERMAL 80C	R2

*SPARE PARTS FOR ANALYZER OPTIONS ARE ON FOLLOWING PAGE(S)*

### INDEX OF OPTIONS FOR TML 30U

Option	Description
41	Current Loop Analog Output

### TML 30U INDIVIDUAL OPTIONS SPARE PARTS LIST

Option	Part Number	Description	Level
41	KIT000219	PCA, 4-20MA OUTPUT, (E-SERIES)	3

Levels marked with an "R" are TML recommended parts to have on hand for typical repairs and maintenance.

Level 1: General maintenance supplies and expendables such as filters, O-rings, lamps, etc.

Level 2: Critical items that are known from experience to have a higher failure rate, such as pumps, heaters, converters, valves, and circuit boards.

Level 3: Other miscellaneous items not included in Level 1 or 2. This level includes other spare parts that are not expected to fail over a given time frame.



CUSTOMER: \_\_\_\_\_ PHONE: \_\_\_\_\_

CONTACT NAME: \_\_\_\_\_ FAX NO. \_\_\_\_\_

SITE ADDRESS: \_\_\_\_\_

MODEL TYPE: \_\_\_\_\_ SERIAL NO.: \_\_\_\_\_ FIRMWARE REVISION: \_\_\_\_\_

Are there any failure messages? \_\_\_\_\_

\_\_\_\_\_

\_\_\_\_\_

(Continue on back if necessary)

PLEASE COMPLETE THE FOLLOWING TABLE:

PARAMETER	DISPLAYED AS	OBSERVED VALUE	UNITS	NOMINAL RANGE
Range	<b>RANGE</b>		PPM, MGM PPB, UGM	1 – 100 PPM
Stability	<b>CO STB</b>		PPM	<1.0 PPM with Zero Air
CO Measure	<b>CO MEAS</b>		mV	2500 – 4800 MV
CO Reference	<b>CO REF</b>		mV	2500 – 4800MV
Measure/Reference Ratio	<b>MR RATIO</b>		–	1.1 – 1.3 with Zero Air
Auto Zero M/R Ratio	<b>AZERO RATIO</b>		–	1.1 – 1.3
Pressure	<b>PRES</b>		In-Hg-A	-2" Ambient Absolute
Sample Flow	<b>SAMP FL</b>		cm <sup>3</sup> /min	1800 ± 20%
Bench Temp	<b>BENCH TEMP</b>		°C	48 ± 2
Wheel Temp	<b>WHEEL TEMP</b>		°C	56 ± 2
Oven Temp	<b>OVEN TEMP</b>		°C	46 ± 1
Photo Drive	<b>PHT DRIVE</b>		mV	250 mV – 4750 mV
Slope of CO Measurement	<b>CO SLOPE</b>		–	1.0 ± .3
Offset of CO Measurement	<b>CO OFFSET</b>		PPM	0 ± 0.3
Dark Cal Reference Signal	<b>REF DARK OFFSET</b>		mV	125 ± 50 mV
Dark Cal Measurement Signal	<b>MEAS DARK OFFSET</b>		mV	125 ± 50 mV
Electric Test			PPM	40 ± 2 PPM

TELEDYNE ML CUSTOMER SERVICE

EMAIL: [tml\\_support@teledyne.com](mailto:tml_support@teledyne.com)

PHONE: (303) 792-3300 TOLL FREE: (800) 846-6062 FAX: (303) 799-4853

Have you performed a leak check and flow check? \_\_\_\_\_

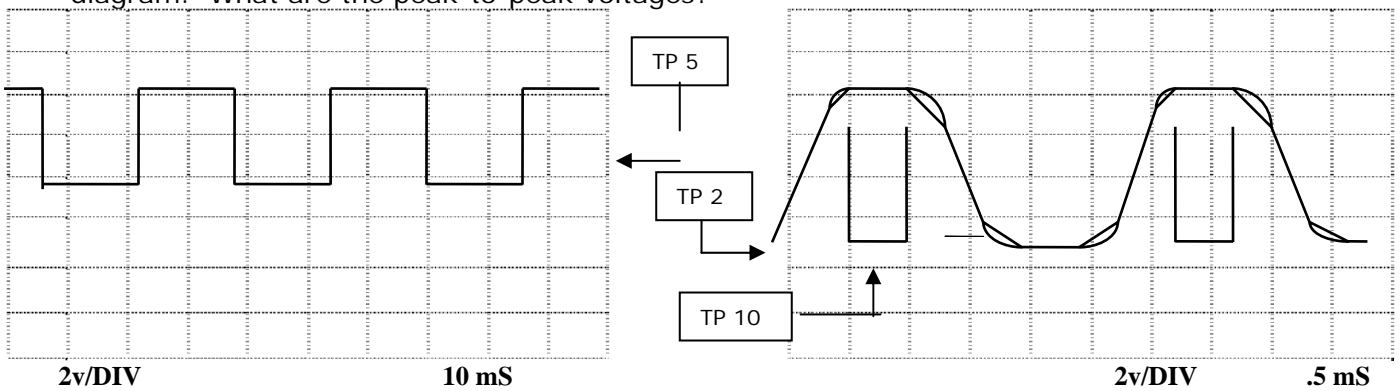
What are the failure symptoms? \_\_\_\_\_

\_\_\_\_\_  
\_\_\_\_\_  
\_\_\_\_\_

What test have you done trying to solve the problem? \_\_\_\_\_

\_\_\_\_\_  
\_\_\_\_\_  
\_\_\_\_\_

Please check these signals and verify the correctness. Look for the signals annotated on the diagram. What are the peak-to-peak voltages?



If possible, please include a portion of a strip chart pertaining to the problem. Circle pertinent data.

THANK YOU FOR PROVIDING THIS INFORMATION. YOUR ASSISTANCE ENABES TELEDYNE API TO RESPOND FASTER TO THE PROBLEM THAT YOU ARE ENCOUNTERING.

OTHER NOTES: \_\_\_\_\_

\_\_\_\_\_  
\_\_\_\_\_  
\_\_\_\_\_  
\_\_\_\_\_  
\_\_\_\_\_  
\_\_\_\_\_  
\_\_\_\_\_  
\_\_\_\_\_  
\_\_\_\_\_  
\_\_\_\_\_

